

INSTALLATION TIPS

CARE + MAINTENANCE

Care must be taken to dry any spillage or leakage of water which may gain access to furniture. It is recommended that vanities are installed to avoid splashes from wet areas such as baths, spas and showers.

All wood composite veneers and polyurethane lacquer are water resistant only. To ensure the quality of finish is maintained, wipe up all spills with a clean lightly moistened cloth as soon as they occur. Use only a soft cloth, or a weak solution of non-abrasive detergent. Do not expose to excessive heat e.g. from hot hair styling equipment or naked flames.

To restore accidental scratches, burns etc. on two pack polyurethane parts or acrylic tops, rub gently with car cutting compound, car polish or household brass/silver cleaner.

To restore accidental scratches, burns etc. on veneer parts, paint with similar coloured wood restoration pens, let settle for one minute and wipe off excess with soft cloth.

WARRANTY INFORMATION

The Argent furniture warranty applies to Argent furniture only. The Argent Warranty is 5 years against manufacturing fault.

Finishes

All finishes are warranted against chipping and flaking, excluding normal wear and tear for five (5) years from date of purchase. Fading of colour due to excessive exposure to sunlight is excluded from the warranty.

Exclusions

This warranty is for normal domestic limited use only and excludes any defect or injury caused by or resulting from misuse, abuse or neglect, accidental damage, improper installation or other alterations or modifications which affect the reliability or performance of the unit that are not attributable to faulty manufacture.

For full Warranty information visit www.argentaust.com.au



Brisbane
Level 3 / 18 Wandoo Street
Fortitude Valley QLD 4006

Sydney
80 Abercrombie Street
Chippendale NSW 2008

Melbourne
206-208 Coventry Street
South Melbourne VIC 3205

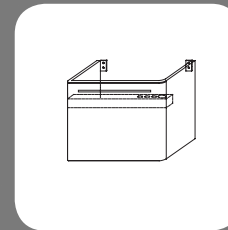
Perth
Unit 1 / 40 Collingwood Street
Osborne Park WA 6017

Technical Advice
1300 356 717

Fax
1300 656 057

www.argentaust.com.au

STORE THIS DOCUMENT



P10SD6501
P10SD6505
P10SD6506
Calma 650

Calma Wall Hung

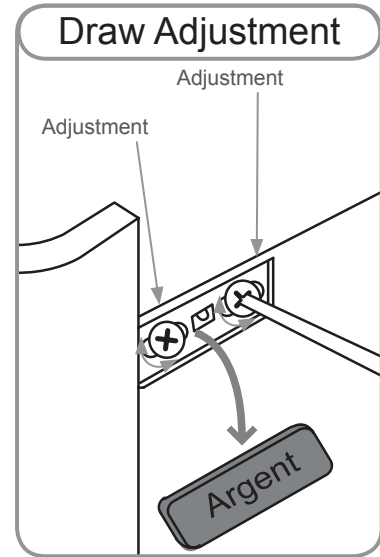
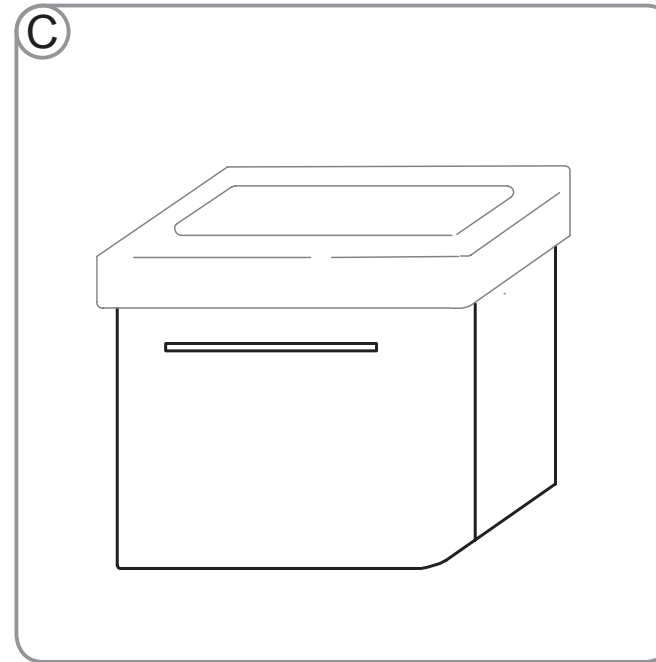
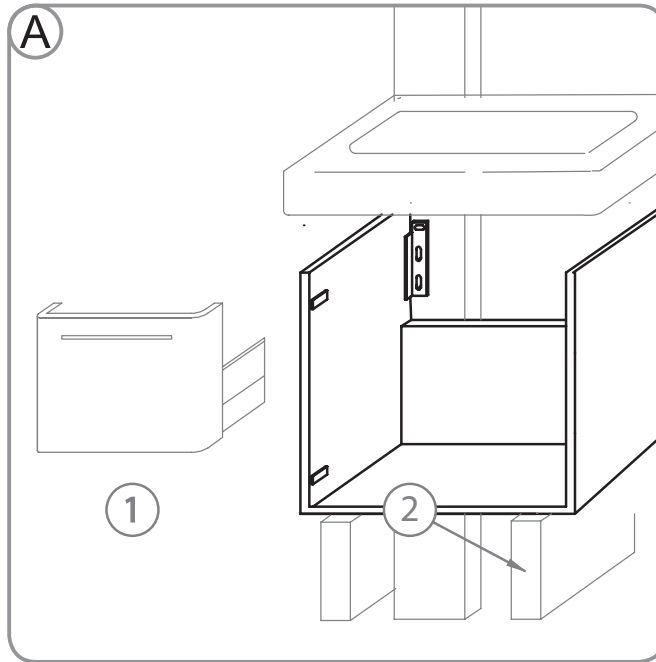
INSTALLATION INSTRUCTIONS



INSPECT THE FURNITURE TO ENSURE NO DAMAGE HAS OCCURRED DURING TRANSIT. IF DAMAGE HAS OCCURRED, OR VISIBLE DEFECTS EXIST, DO NOT PROCEED WITH INSTALLATION AND ADVISE ARGENT IMMEDIATELY.

FURNITURE MUST BE FITTED THROUGH STUDS INTO THE WALL. USE FIXING BRACKETS PROVIDED.

IF STUD POSITIONING DOES NOT ALIGN WITH FIXING BRACKETS, CABINET MUST BE ADDITIONALLY SECURED THROUGH THE BACK BOARD TO STUDS. IF NO STUDS ARE FOUND TO SECURE THROUGH, NOGGINS MAY BE REQUIRED.



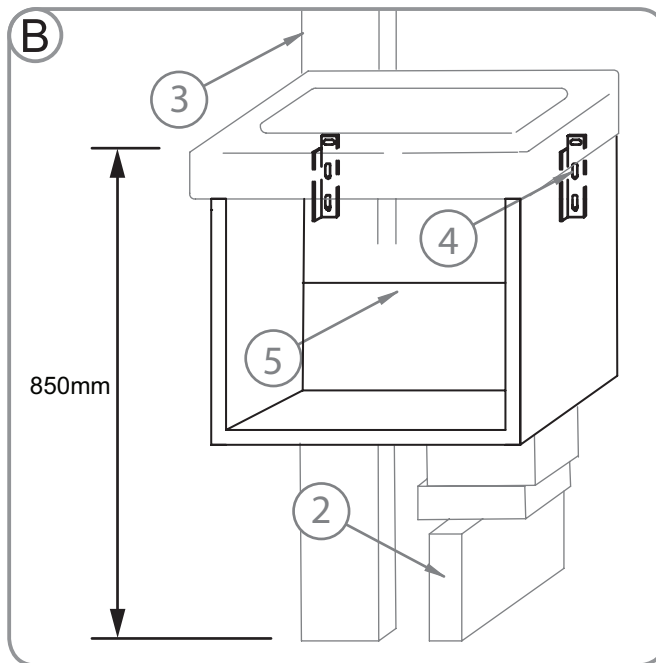
A PRIOR TO INSTALLATION

Argent recommends a qualified trade person fit your vanity. Ensure your furniture is installed to relevant building codes and Australian standards.

Please note, Argent will not be liable for the cost of installation or removal of the furniture and the warranty will be voided if damage occurred during or after installation.

Fit wall hung basin at required height to secure stud or frame, ensure level. Fit plumbing.

You may find it helpful to remove (1) any shelves, doors and draws of vanity and set aside carefully. Hold vanity over pipes in correct position. Use (2) scrap blocks of wood to set at just under correct height.



B MEASURE & MARK

Find (3) in wall studs to secure to. If aligned with fixing brackets, mark bottom and sides as well as the middle bracket hole. Measure and mark position for drilling, measure from bottom of vanity to holes in (4) bracket. If stud positioning does not align with fixing brackets, vanity must be secured through the (5) back board to studs. If no studs are found to secure through, special fixings may be required. Use fixings appropriate to your wall material.

C FIT OFF & ADJUST

Lift vanity to required height and secure appropriate fixing mechanism into the wall. Drill securing screws (included with vanity) to all hanging brackets.

Replace any shelves, doors and draws and adjust to ensure all square with the installed vanity.

IMPORTANT:

INSPECT THE FURNITURE TO ENSURE NO DAMAGE HAS OCCURRED DURING TRANSIT. IF DAMAGE HAS OCCURRED, OR VISIBLE DEFECTS EXIST, DO NOT PROCEED WITH INSTALLATION AND ADVISE ARGENT IMMEDIATELY.