

INSTALLATION TIPS

CARE + MAINTENANCE

Care must be taken to dry any spillage or leakage of water which may gain access to furniture. It is recommended that vanities are installed to avoid splashes from wet areas such as baths, spas and showers.

All wood composite veneers and polyurethane lacquer are water resistant only. To ensure the quality of finish is maintained, wipe up all spills with a clean lightly moistened cloth as soon as they occur. Use only a soft cloth, or a weak solution of non-abrasive detergent. Do not expose to excessive heat e.g. from hot hair styling equipment or naked flames.

To restore accidental scratches, burns etc. on two pack polyurethane parts or acrylic tops, rub gently with car cutting compound, car polish or household brass/silver cleaner.

To restore accidental scratches, burns etc. on veneer parts, paint with similar coloured wood restoration pens, let settle for one minute and wipe off excess with soft cloth.

WARRANTY INFORMATION

The Argent furniture warranty applies to Argent furniture only. The Argent Warranty is 5 years against manufacturing fault. Separate warranty applies for the basin, check the detail supplied with the basin.

Finishes

All finishes are warranted against chipping and flaking, excluding normal wear and tear for five (5) years from date of purchase. Fading of colour due to excessive exposure to sunlight is excluded from the warranty.

Exclusions

This warranty is for normal domestic limited use only and excludes any defect or injury caused by or resulting from misuse, abuse or neglect, accidental damage, improper installation or other alterations or modifications which affect the reliability or performance of the unit that are not attributable to faulty manufacture.

For full Warranty information visit www.argentaust.com.au



Brisbane
Level 3 / 18 Wandoo Street
Fortitude Valley QLD 4006

Sydney
80 Abercrombie Street
Chippendale NSW 2008

Melbourne
206-208 Coventry Street
South Melbourne VIC 3205

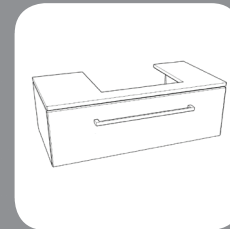
Perth
Unit 1 / 40 Collingwood Street
Osborne Park WA 6017

Technical Advice
1300 356 717

Fax
1300 656 057

www.argentaust.com.au

STORE THIS DOCUMENT



Q10SW1001
Quad 1000mm 1 drawer wall hung

Quad large wall hung



FOR CAVITY WALLS, FURNITURE AND BASIN MUST BE SECURED INTO EITHER STUDS OR NOGGINS ONTO THE WALL.

FOR SOLID WALLS, SUITABLE WALL PLUGS/ FIXINGS WILL NEED TO BE USED. USE THE SECURING BRACKETS PROVIDED.

IF STUD POSITIONING DOES NOT ALIGN WITH FIXING BRACKETS FOR THE CABINET IT MAY BE SECURED THROUGH THE CABINET BACK BOARD INTO THE STUDS.

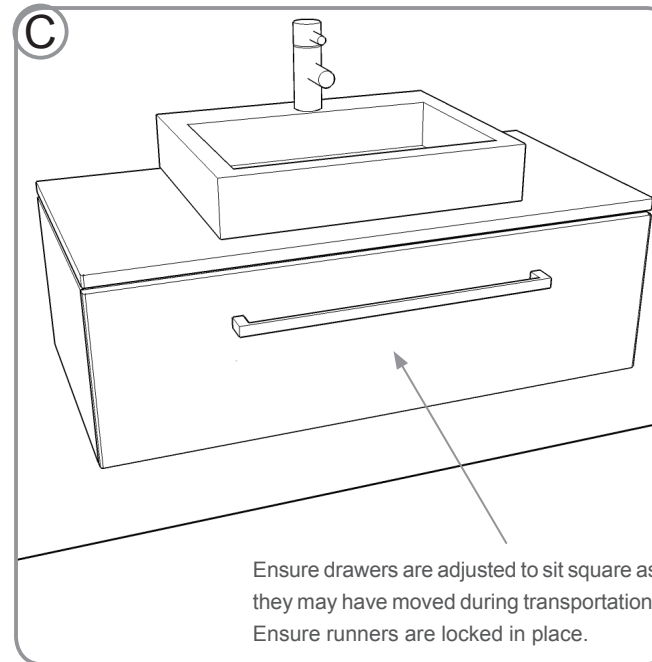
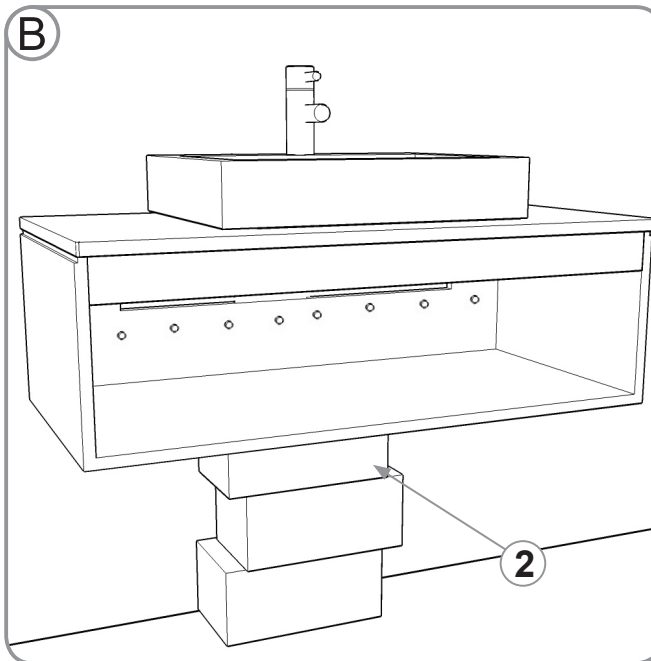
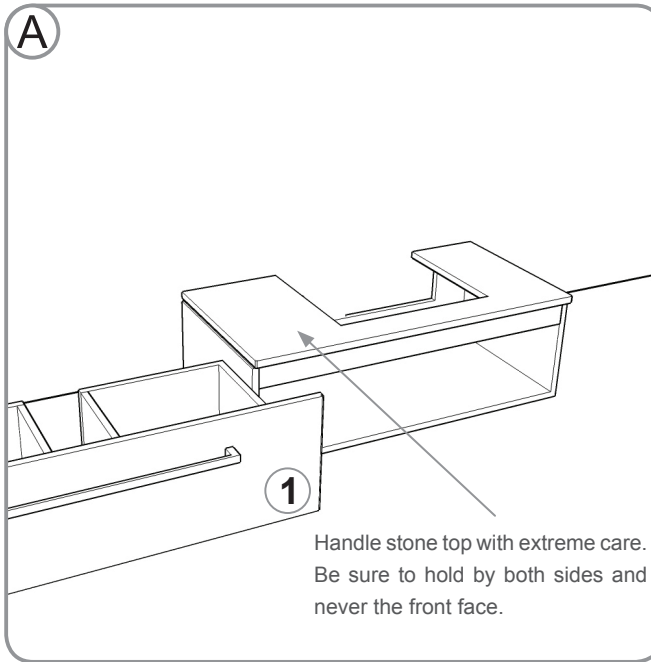
IF NO STUDS ARE FOUND TO SECURE THROUGH, NOGGINS WILL BE REQUIRED.

A PRIOR TO INSTALLATION

Argent recommends a qualified trade person fit your vanity. Ensure your furniture is installed to relevant building codes and Australian Standards.

Please note, Argent will not be liable for the cost of installation or removal of the furniture and the warranty will be voided if damage occurred during or after installation.

Fit wall hung basin at required height to stud/ noggin or solid wall, ensure it is level. Do not over tighten the basin bolts to avoid damaging the basin. Fit the plumbing.



B INSTALLATION

You will find it helpful to remove (1) draws/ doors and the shelf from the vanity, set them aside carefully. Hold vanity cabinet over plumbing pipes in correct position under the installed basin. You can use (2) scrap blocks of wood to hold the cabinet at the correct height for ease of marking and later securing.

MEASURE & MARK

Measure and mark position for drilling the cabinet fixings to the wall. Remove cabinet and drill holes.

INSTALLATION

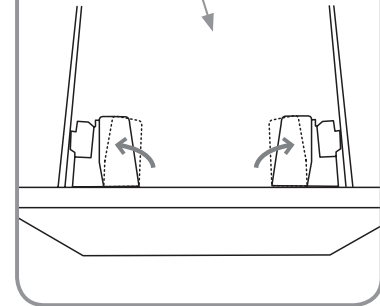
Secure the cabinet with appropriate fastening into stud/ noggins or solid wall using the brackets supplied. For cavity walls where the stud/ noggins are not aligned with solid fixing position, the cabinet may be secured through the solid backboard into secure fixing locations.

C ADJUST & FINISH

Ensure draw is adjusted to sit square as it may have moved during transportation/ installation. Apply a bead of bathroom grade silicon sealant around the back edge of the basin and where the basin touches the wall.

Drawer Adjustment

Feel under the drawer for release catches. Squeeze release catches, lift up and towards you to release the drawer from the runners.



Basin Sealing

IMPORTANT:

USE ONLY bathroom grade silicon sealant

Epoxy type glues MUST NOT BE USED.

Put a bead of waterproof mastic compound around the back edge of the basin and where the basin touches the wall. Do not tighten the basin bolts to avoid damaging the basin.

IMPORTANT:

INSPECT THE FURNITURE TO ENSURE NO DAMAGE HAS OCCURRED DURING TRANSIT.

IF DAMAGE HAS OCCURRED, OR VISIBLE DEFECTS EXIST, DO NOT PROCEED WITH INSTALLATION AND ADVISE ARGENT IMMEDIATELY.