

INSTALLATION TIPS

CARE + MAINTENANCE

Care must be taken to dry any spillage or leakage of water which may gain access to furniture. It is recommended that vanities are installed to avoid splashes from wet areas such as baths, spas and showers.

All wood composite veneers and polyurethane lacquer are water resistant only. To ensure the quality of finish is maintained, wipe up all spills with a clean lightly moistened cloth as soon as they occur. Use only a soft cloth, or a weak solution of non-abrasive detergent. Do not expose to excessive heat e.g. from hot hair styling equipment or naked flames.

To restore accidental scratches, burns etc. on two pack polyurethane parts or acrylic tops, rub gently with car cutting compound, car polish or household brass/silver cleaner.

To restore accidental scratches, burns etc. on veneer parts, paint with similar coloured wood restoration pens, let settle for one minute and wipe off excess with soft cloth.

WARRANTY INFORMATION

The Argent furniture warranty applies to Argent furniture only. The Argent Warranty is 5 years against manufacturing fault. Separate warranty apply for the basin, check the detail supplied with the basin.

Finishes

All finishes are warranted against chipping and flaking, excluding normal wear and tear for five (5) years from date of purchase. Fading of colour due to excessive exposure to sunlight is excluded from the warranty.

Exclusions

This warranty is for normal domestic limited use only and excludes any defect or injury caused by or resulting from misuse, abuse or neglect, accidental damage, improper installation or other alterations or modifications which affect the reliability or performance of the unit that are not attributable to faulty manufacture.

For full Warranty information visit www.argentaust.com.au



Brisbane
Level 3 / 18 Wandoo Street
Fortitude Valley QLD 4006

Sydney
80 Abercrombie Street
Chippendale NSW 2008

Melbourne
206-208 Coventry Street
South Melbourne VIC 3205

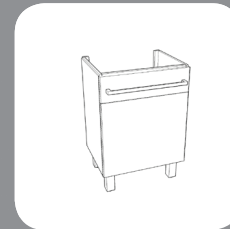
Perth
Unit 1 / 40 Collingwood Street
Osborne Park WA 6017

Technical Advice
1300 356 717

Fax
1300 656 057

www.argentaust.com.au

STORE THIS DOCUMENT



Q10SF0501
Quad 540mm floor mounted

Quad floor mounted

INSTALLATION INSTRUCTIONS



FOR CAVITY WALLS, FURNITURE AND BASIN MUST BE SECURED INTO EITHER STUDS OR NOGGINS ONTO THE WALL.

FOR SOLID WALLS, SUITABLE WALL PLUGS/ FIXINGS WILL NEED TO BE USED. USE THE SECURING BRACKETS PROVIDED.

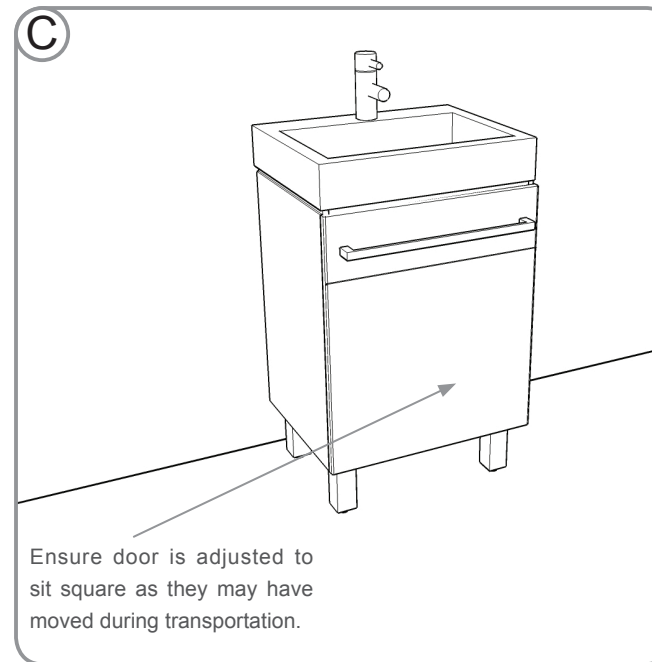
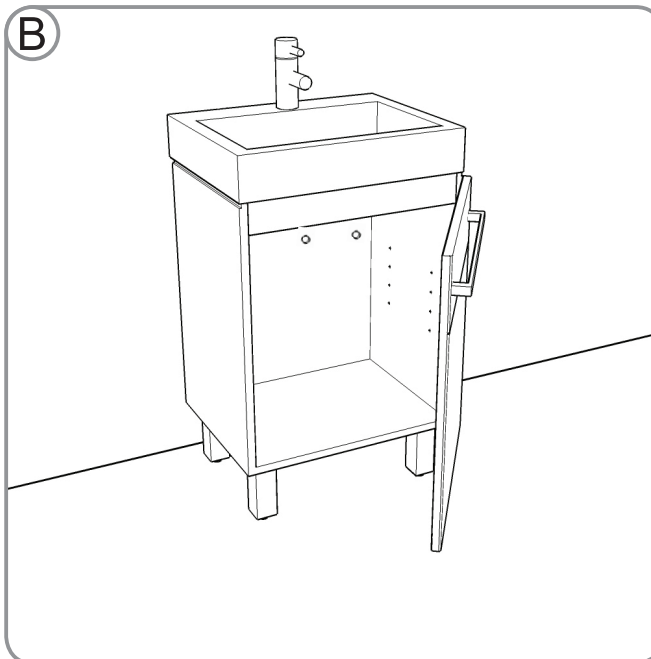
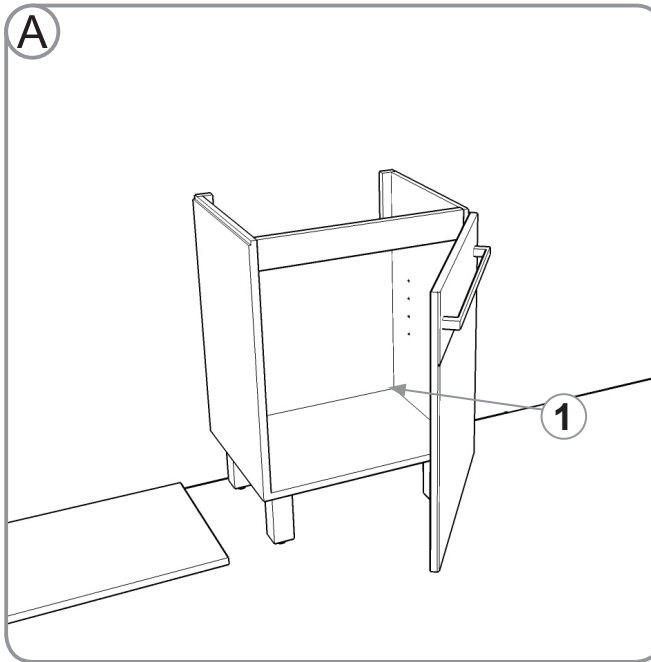
IF STUD POSITIONING DOES NOT ALIGN WITH FIXING BRACKETS FOR THE CABINET IT MAY BE SECURED THROUGH THE CABINET BACK BOARD INTO THE STUDS.

IF NO STUDS ARE FOUND TO SECURE THROUGH, NOGGINS WILL BE REQUIRED.

A PRIOR TO INSTALLATION

Argent recommends a qualified trade person fit your vanity. Ensure your furniture is installed to relevant building codes and Australian Standards.

Please note, Argent will not be liable for the cost of installation or removal of the furniture and the warranty will be voided if damage occurred during or after installation.



B TEST FIT AND MARK

Test fit the vanity with basin in position and check it sits true and level. Adjust the legs where required to ensure level.

Mark/ record both the basin fixing points and the cabinet fixing points so these can be drilled once the unit is removed.

Mark the position of the unit to ensure you can reposition it for the installation step. Drill the holes for securing the unit appropriate to your wall substrate.

C INSTALLATION

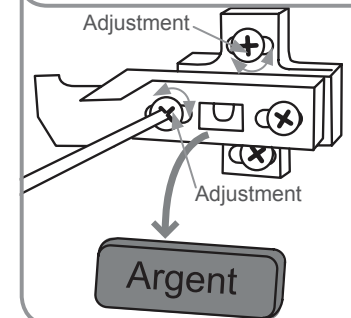
You will find it helpful to remove (1) draws/ doors and shelf from the vanity, set them aside carefully. Fit the complete cabinet and basin into the required position. Ensure it is true and level. Secure both the wall basin and cabinet with appropriate fastening into secure stud/ noggin or solid wall. Do not over tighten the basin bolts to avoid damaging the basin. Fit the plumbing.

ADJUST & FINISH

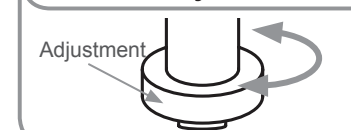
Ensure door is adjusted to sit square as it may have moved during transportation/ installation. Replace shelf; ensure all square with the installed vanity.

Apply a bead of bathroom grade silicon sealant around the back edge of the basin and where the basin touches the wall.

Door Adjustment



Feet Adjustment



Basin Sealing

IMPORTANT:

USE ONLY bathroom grade silicon sealant

Epoxy type glues MUST NOT BE USED.

Put a bead of waterproof mastic compound around the back edge of the basin and where the basin touches the wall. Do not tighten the basin bolts to avoid damaging the basin.

IMPORTANT:

INSPECT THE FURNITURE TO ENSURE NO DAMAGE HAS OCCURRED DURING TRANSIT.

IF DAMAGE HAS OCCURRED, OR VISIBLE DEFECTS EXIST, DO NOT PROCEED WITH INSTALLATION AND ADVISE ARGENT IMMEDIATELY.