

## INSTALLATION TIPS

### CARE + MAINTENANCE

Avoid acetone silicones upon installation, harsh chemicals and abrasive cloths when cleaning (as these will scratch the chrome surface), waxed based furniture creams (as these can result in a build up of deposits and may detract from the appearance). Clean using a soft soapy cloth and polish with a dry soft cloth and do not use undue pressure whilst cleaning. Ensure all new installations are fully flushed prior to installing the ceramic headparts to prevent any possible damage to the product and voiding of the warranty.

### LICENCED PLUMBER / INSTALLER

This water saving range of tapware and outlets have been fitted with flow restrictors which can create greater hydrostatic back pressure to the ceramic cartridge.

Always flush water inlet lines on new installations before fitting tapware to avoid damage to ceramic valve.

#### Please Note:

- These tapware sets contain ceramic disc 180° turn spindles.
- Product not installed by a licensed plumber or in accordance with relevant industry standards and regulations may void the manufacturers warranty terms & conditions.

Please ensure the operating pressure to all points in the building conforms to AS/NZS 3500.1 and does not exceed 500KPA .

Failure to limit the operating flow pressure, may void the warranty on this fixture.

### PRESSURE + TEMPERATURE REQUIREMENTS

Ensure operating water pressure is between 1-5 bar (100-500Kpa).

If pressure is in excess of 500Kpa fit pressure reduction valve to ensure installation conforms to AS/NZ 3500.1

This tapware set is not recommended for use with low pressure gravity feed water systems.

Maximum hot water temperature 80°C.

### WARRANTY

All Argent products are covered by a three (3) year warranty from the date of purchase. Argent will undertake to rectify free of charge for parts and labour, within this period any fault due to defects in materials or workmanship. Regardless of interim service within that period, the warranty shall expire after three (3) years from the date of original purchase.

### Finishes

All Argent finishes are warranted against chipping and flaking, excluding normal wear and tear for three (3) years from date of purchase.

### Headparts

All Argent replacement headparts will only be covered by warranty if the fault can be clearly shown to have existed as a result of defect in manufacture. There is a twelve (12) month warranty period only applicable for these replacement parts.

### Exclusions

This warranty is for normal domestic and commercial use only and excludes any defect or injury caused by or resulting from misuse, abuse or neglect, accidental damage, improper installation or installation by unlicensed plumber, products not installed to relevant National Standards and State Regulations.



#### Brisbane

Level 3 / 18 Wandoo Street  
Fortitude Valley QLD 4006

#### Sydney

80 Abercrombie Street  
Chippendale NSW 2008

#### Melbourne

206-208 Coventry Street  
South Melbourne VIC 3205

#### Perth

Unit 1 / 40 Collingwood Street  
Osborne Park WA 6017

#### Technical Advice

1300 356 717

#### Fax

1300 656 057

[www.argentaust.com.au](http://www.argentaust.com.au)

#### Australian Design Registration

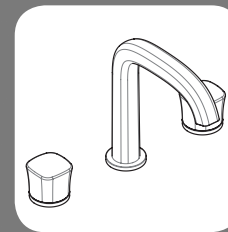
AUST. DES. REGN. NO. 305591  
AUST. DES. REGN. NO. 305590  
AUST. DES. REGN. NO. 305593  
AUST. DES. REGN. NO. 305592  
AUST. DES. REGN. NO. 307307

ARG-001-252\_Inline Qube BasinSet

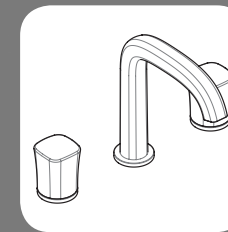


## Qube Basin Set

### INSTALLATION INSTRUCTIONS



**107305**  
Qube Basin Set



**107306**  
Qube T Basin Set



WELS 5 star rated  
Nominal flow rate 5Lpm

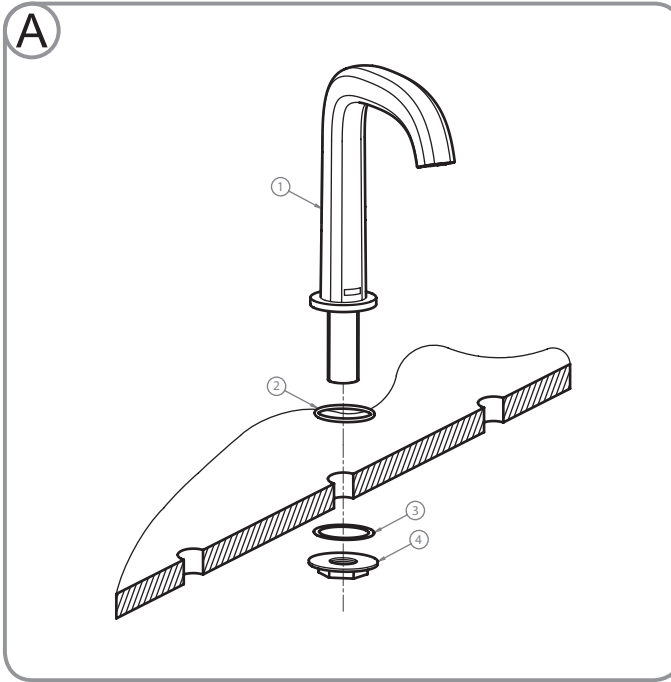
### A FIT BASIN SPOUT

Install basin spout (1) to basin/bench ensuring washer & seal ring (2) & (3) are fitted to the centre outlet hole.

**NOTE:** For O-ring identification please refer to the O-ring Template.

### FIT 'T' PIECE

Measure basin tap hole centres and cut the 'T' piece (5) to required length to suit bodies (7) and fit the two O-rings (6) with silicon based grease to the centre spigot on the copper 'T' piece.



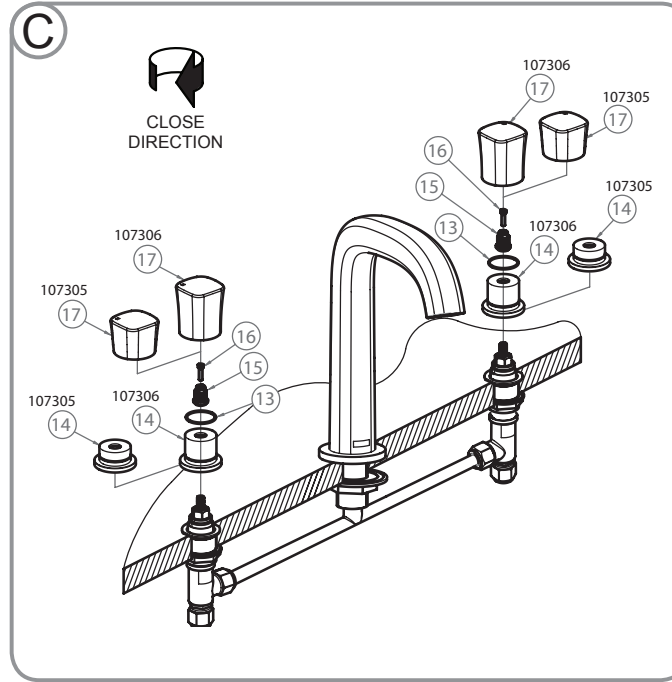
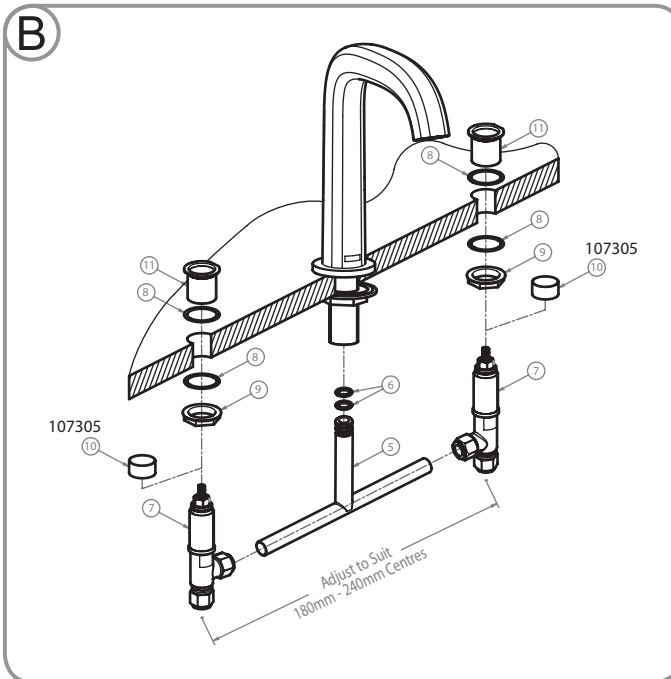
### B FIT BODY ASSEMBLY

Fit body assembly (7) to basin/bench top ensuring that the back nut & washer (8) & (9) are fitted prior to assembly.

**NOTE:** On model 107305 also use the spacer ring (10).

Fit body nut (11) from the top of basin / bench top to body assembly (7) ensuring sealing O-ring (8) is fitted to seal the top of basin / bench top opening.

Tighten nut (9) onto body assembly (7)



### C ASSEMBLE AND FIT DRESS FITTINGS

Fit O-ring (13) to dress flange (14) and apply silicon based grease.

Seal around tap bodies with approved sealant to ensure the basin top is water tight, tighten all back nuts fitted to underside.

Tighten dress flange (14) down over body assembly (7).

Fit nylon snap connector (15) to spindle shaft and secure with locating screw (16).

**Do not over tighten this screw!**

**Ensure O-ring (13) on dress flange is lubricated prior to engaging!**

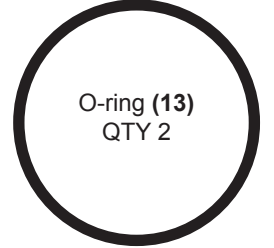
Ensure ceramic valve is in a closed/off position (CLOSE DIRECTION) and press fit handle (17) to nylon snap connector (15) until it clicks ensuring alignment of 'H' & 'C' indicators.

### O-ring Template

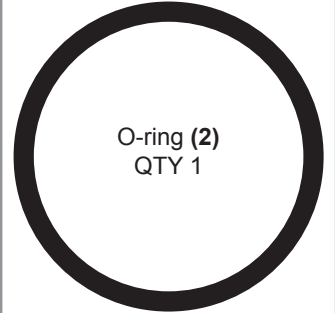
O-ring (6)  
QTY 2



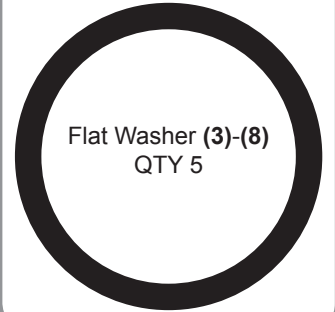
O-ring (13)  
QTY 2



O-ring (2)  
QTY 1



Flat Washer (3)-(8)  
QTY 5



### SUITABLE GREASE USAGE

Please use AS/NZS 4020 approved silicon based grease to avoid deterioration of O-Rings.