

BETTE BOWL BASIN RANGE

BETTE
Baden und Duschen



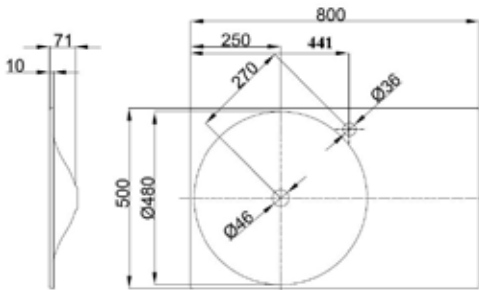
BETTE BOWL BASIN RANGE

BETTE
Baden und Duschen

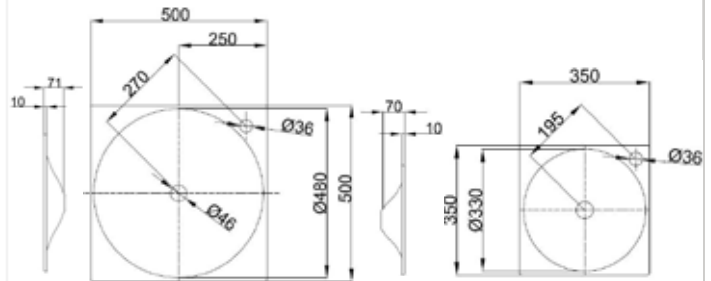
The Bette Bowl range of steel pressed basins features built-in, counter-top and wall-mounted options in various stylish modern designs. All Bette steel products are precision engineered, made in Germany and carry a 30 year material warranty.



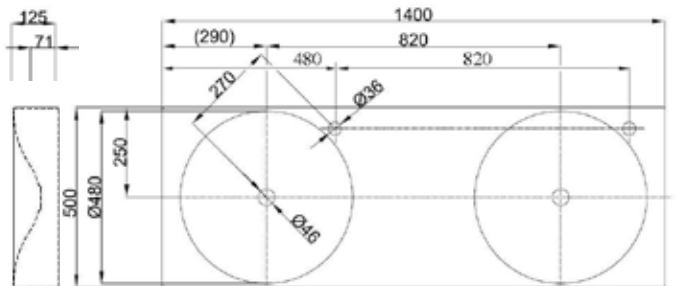
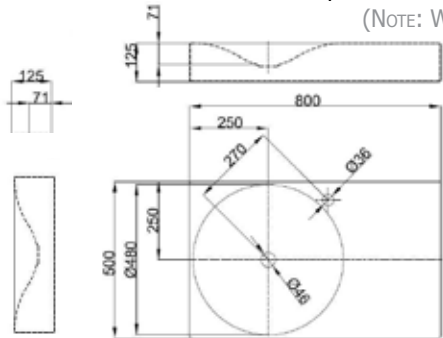
AO14HLL1* Bowl built-in 1 tap hole 800 x 500 x 10mm
AO14** Bowl built-in no tap hole 800 x 500 x 10mm



AO16HLW1 Bowl built-in 1 tap hole 500 x 500 x 10mm
AO17HLW1 Bowl built-in 1 tap hole 350 x 350 x 10mm

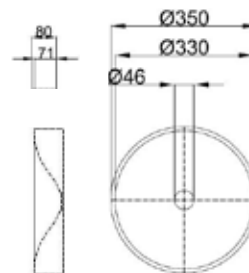
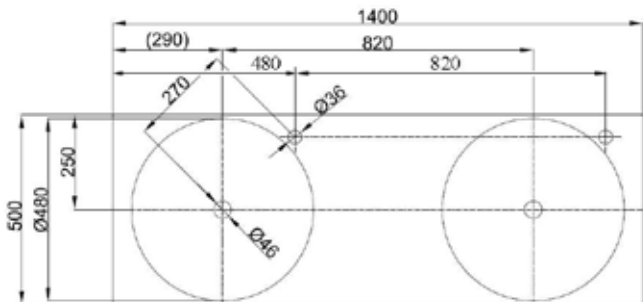


AO18HLW1* Bowl wall-mounted 1 tap hole 800 x 500 x 125mm
AO26HLW2* Bowl wall-mounted 2 tap hole 1400 x 500 x 125mm
 (NOTE: WALL MOUNTED BASINS CAN BE BENCH MOUNTED)



AO24HLW2* Bowl counter-top 2 tap hole 1400 x 500 x 80mm

AO30# Bowl counter-top 350mm diameter round



* Argent TREND Furniture Range available to suit selected 1400mm and 800mm Basins
 • Argent 32mm Pop-up Waste NO overflow available to suit above basins - refer Code 94238N
 # Special order items

Technical Advice Hotline 1800 356 717

email: ac@argentaust.com.au

www.argentaust.com.au

Argent Central
Ph: 1300 364 748
Fx: 1300 656 057

Brisbane
Ph: 07 3252 6101
Fx: 1300 656 057

Melbourne
Ph: 03 9682 1231
Fx: 03 9696 7661

Sydney
Ph: 02 8394 5800
Fx: 02 8394 5888

Perth
Ph: 08 9445 0500
Fx: 08 9445 0510

