

# BETTE AQUA BASIN RANGE

**BETTE**  
*Baden und Duschen*



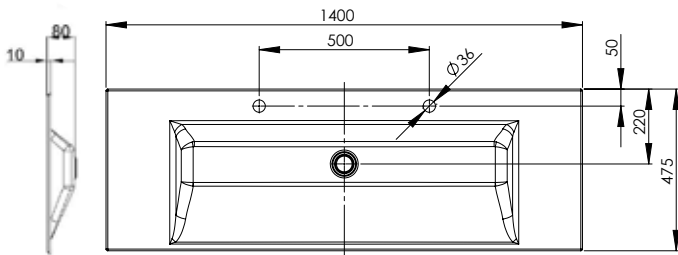
# BETTE AQUA BASIN RANGE

**BETTE**  
Baden und Duschen

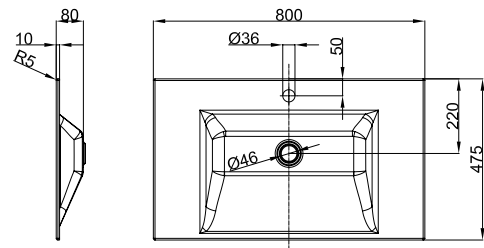
The Bette Aqua range of steel pressed basins features built-in, counter-top and wall-mounted options in various stylish modern designs. All Bette steel products are precision engineered, made in Germany and carry a 30 year material warranty.



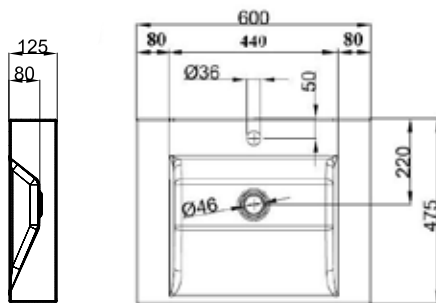
**AO46HLW2\*** Aqua built-in 2 tap hole 1400 x 475 x 10mm  
**AO47#** Aqua built-in no tap hole 1400 x 400 x 10mm



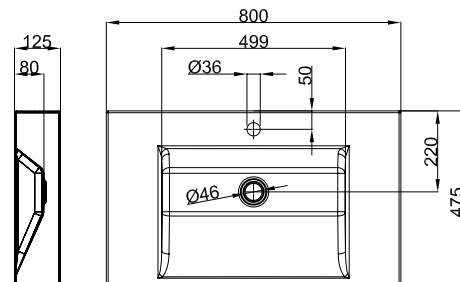
**AO48HLW1\*** Aqua built-in 1 tap hole 800 x 475 x 10mm  
**AO49#** Aqua built-in no tap hole 800 x 400 x 10mm



**AO56HLW1** Aqua wall-mounted 1 tap hole 600 x 475 x 125mm

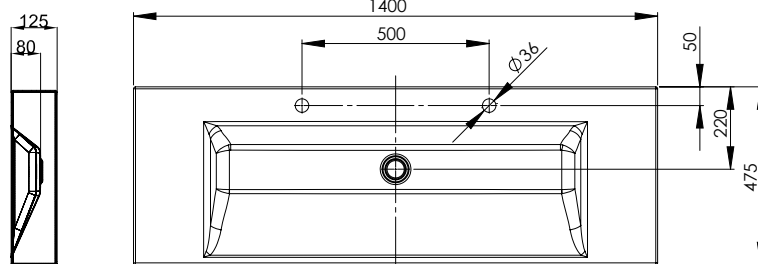


**AO54HLW1\*** Aqua wall-mounted 1 tap hole 800 x 475 x 125mm



(NOTE: WALL MOUNTED  
BASINS CAN BE  
BENCH MOUNTED)

**AO52HLW2\*** Aqua wall-mounted 2 tap hole 1400 x 475 x 125mm



- \* Argent TREND Furniture Range available to suit selected 1400mm and 800mm Basins
- Argent 32mm Pop-up Waste NO overflow available to suit above basins - refer Code 94238N
- # Special order items

Technical Advice Hotline 1800 356 717

email: [ac@argentaust.com.au](mailto:ac@argentaust.com.au)

[www.argentaust.com.au](http://www.argentaust.com.au)

**Argent Central**  
Ph: 1300 364 748  
Fax: 1300 656 057

**Brisbane**  
Ph: 07 3252 6101  
Fax: 1300 656 057

**Melbourne**  
Ph: 03 9682 1231  
Fax: 03 9696 7661

**Sydney**  
Ph: 02 8394 5800  
Fax: 02 8394 5888

**Perth**  
Ph: 08 9445 0500  
Fax: 08 9445 0510

