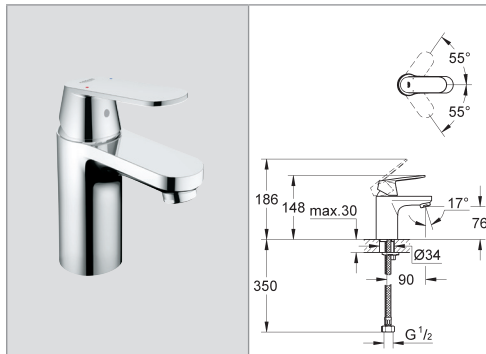
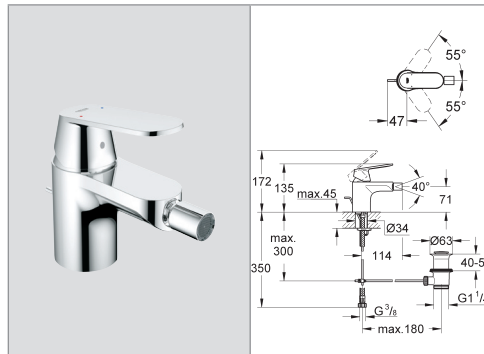


# GROHE EUROSMART COSMOPOLITAN

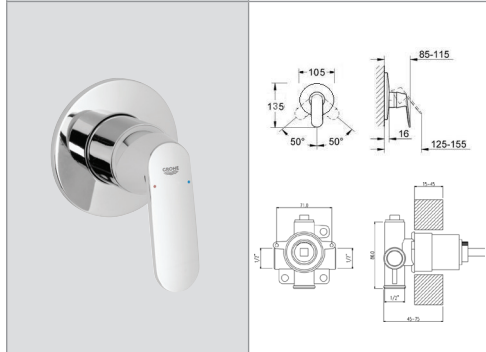
An extensive line up of products brings architectural design preferences to a wider audience. For improved user comfort, the lozenge-shaped lever handle is pitched at an angle of seven degrees and benefits from GROHE SilkMove® – our superior cartridge technology, which delivers lifelong smooth handling across the collection.



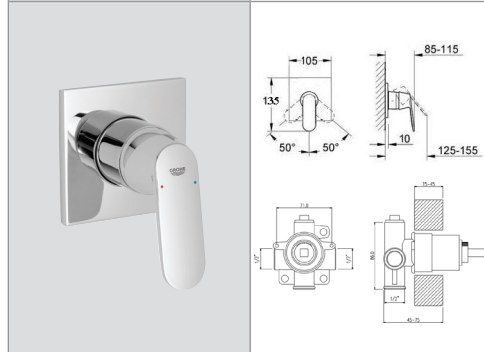
**32829000**  
GROHE Eurosmart  
Cosmopolitan  
Basin Mixer  
WELS 5 STAR 5LPM



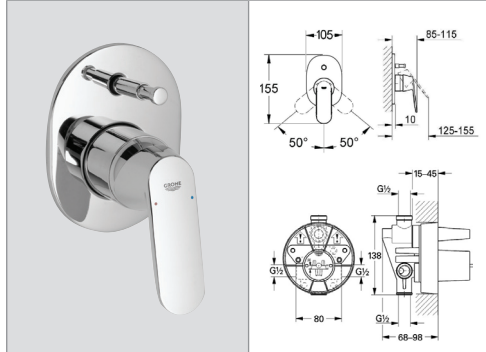
**32839B**  
GROHE Eurosmart  
Cosmopolitan  
Bidet Mixer



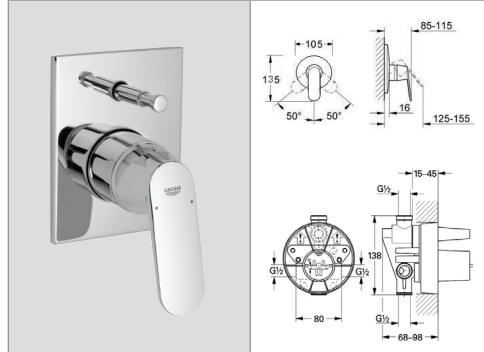
**59383XB + 53966B**  
GROHE Eurosmart  
Cosmopolitan  
Shower Mixer  
with Small Round Coverplate



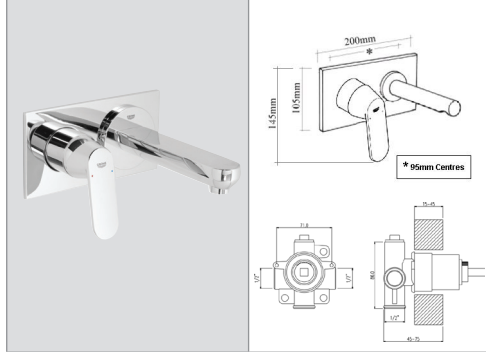
**57383XB + 53966B**  
GROHE Eurosmart  
Cosmopolitan  
Shower Mixer  
with Small Square Coverplate



**59382XB + 53965B**  
GROHE Eurosmart  
Cosmopolitan  
Bath/Shower Diverter Mixer  
with Small Oval Coverplate

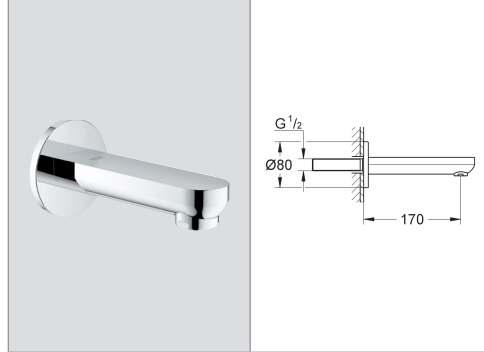


**57382XB + 53965B**  
GROHE Eurosmart  
Cosmopolitan  
Bath/Shower Diverter Mixer  
with Small Rectangular  
Coverplate



**58383XB + 53967B**  
GROHE Eurosmart  
Cosmopolitan  
Wall Mixer with Combination  
Coverplate (Spout not incl)

**Note:**  
In-Wall Body supplied with  
template for Spout position.  
Spout not included. Order  
Eurosmart Cosmopolitan  
Basin or Bath Spout  
separately or see the Argent  
range for additional Spout  
options.



**53261B**  
GROHE Eurosmart  
Cosmopolitan Basin Spout  
170mm  
WELS 5 STAR 5LPM

**13261B**  
GROHE Eurosmart  
Cosmopolitan Bath Spout  
170mm  
**Note:**  
Special Installation Technique  
Required - See Instructions at  
[www.argentaust.com.au](http://www.argentaust.com.au)



GROHE EcoJoy™



GROHE SilkMove®



GROHE StarLight®



GROHE QuickFix® Plus



GOOD  
DESIGN



iF  
product  
design  
award



5 Lpm WELS 5 Star



GROHE  
15 YEAR  
warranty

Technical Advice Hotline 1800 356 717

email: [ac@argentaust.com.au](mailto:ac@argentaust.com.au)

[www.argentaust.com.au](http://www.argentaust.com.au)

**Argent Central**  
Ph: 1300 364 748  
Fx: 1300 656 057

**Brisbane**  
Ph: 07 3252 6101  
Fx: 1300 656 057

**Melbourne**  
Ph: 03 9250 1600  
Fx: 03 9250 1699

**Sydney**  
Ph: 02 8394 5800  
Fx: 02 8394 5888

**Perth**  
Ph: 08 9445 0500  
Fx: 08 9445 0510



BROGRO-EUROSMART COSMOPOLITAN

# GROHE EUROSMART COSMOPOLITAN



[www.grohe.com.au](http://www.grohe.com.au)

**GROHE**  
ENJOY WATER®