

# GROHE BAULOOP


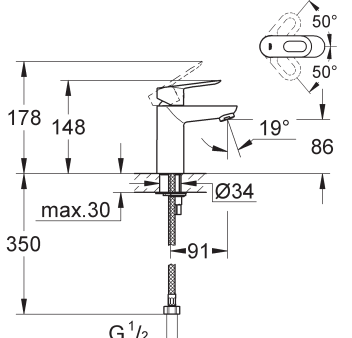


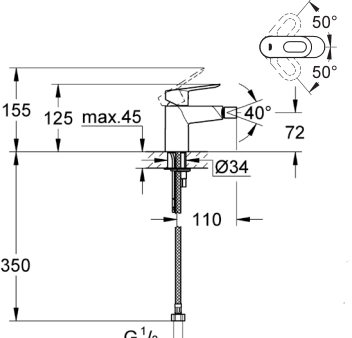

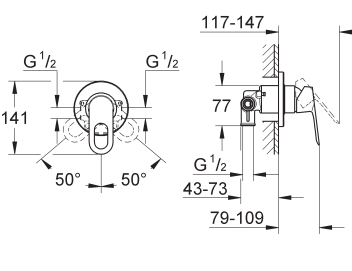

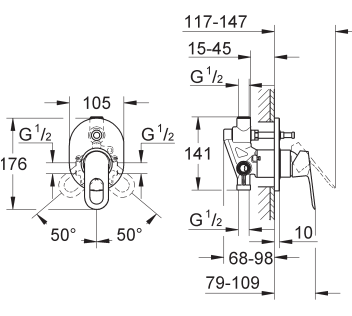


**GROHE**  
WAVE

ENJOY WATER®

[www.grohe.com.au](http://www.grohe.com.au)

# GROHE BAULOOP

		<p><b>23179000</b> GROHE BauLoop Basin Mixer</p>  <p>4 Lpm WELS 6 Star</p>	<p>chrome</p>
		<p><b>32818B</b> GROHE BauLoop Bidet Mixer*</p> <p>*Includes Fitment Dress Ring, Pop-up Waste and Swivel Nozzle</p>	<p>chrome</p>
		<p><b>19589000 + 53966B</b> GROHE BauLoop Shower Mixer</p>	<p>chrome</p>
		<p><b>19588000 + 53965B</b> GROHE BauLoop Diverter Mixer</p>	<p>chrome</p>



GROHE SilkMove®



GROHE StarLight®



Designed to enhance the purity of modern architecture, BauLoop brings lightness to its surroundings through its striking loop-shaped lever handle and cylindrical body. Featuring the signature GROHE design elements, the collection carries its minimalist design across the range.

Technical Advice Hotline 1800 356 717

email: [ac@argentaust.com.au](mailto:ac@argentaust.com.au)

[www.argentaust.com.au](http://www.argentaust.com.au)

**Argent Central**  
Ph: 1300 364 748  
Fx: 1300 656 057

**Brisbane**  
Ph: 07 3252 6101  
Fx: 1300 656 057

**Melbourne**  
Ph: 03 9250 1600  
Fx: 03 9250 1699

**Sydney**  
Ph: 02 8394 5800  
Fx: 02 8394 5888

**Perth**  
Ph: 08 9445 0500  
Fx: 08 9445 0510



BROGRO-BAULOOP