

INSTALLATION TIPS

CARE + MAINTENANCE

Avoid acetone silicones upon installation, harsh chemicals and abrasive cloths when cleaning (as these will scratch the chrome surface), waxed based furniture creams (as these can result in a build up of deposits and may detract from the appearance). Clean using a soft soapy cloth and polish with a dry soft cloth and do not use undue pressure whilst cleaning. Ensure all new installations are fully flushed prior to installing the ceramic headparts to prevent any possible damage to the product and voiding of the warranty.

LICENCED PLUMBER / INSTALLER

This water saving range of tapware and outlets have been fitted with flow restrictors which can create greater hydrostatic back pressure to the ceramic cartridge.

Always flush water inlet lines on new installations before fitting tapware to avoid damage to ceramic valve.

Please Note:

- These tapware sets contain ceramic disc 180° turn spindles.
- Product not installed by a licensed plumber or in accordance with relevant industry standards and regulations may void the manufacturers warranty terms & conditions.

Please ensure the operating pressure to all points in the building conforms to AS/NZS 3500.1 and does not exceed 500KPA .

Failure to limit the operating flow pressure, may void the warranty on this fixture.

PRESSURE + TEMPERATURE REQUIREMENTS

Ensure operating water pressure is between 1-5 bar (100-500Kpa).

If pressure is in excess of 500Kpa fit pressure reduction valve to ensure installation conforms to AS/NZ 3500.1

This tapware set is not recommended for use with low pressure gravity feed water systems.

Maximum hot water temperature 80°C.

WARRANTY

All Argent products are covered by a three (3) year warranty from the date of purchase. Argent will undertake to rectify free of charge for parts and labour, within this period any fault due to defects in materials or workmanship. Regardless of interim service within that period, the warranty shall expire after three (3) years from the date of original purchase.

Finishes

All Argent finishes are warranted against chipping and flaking, excluding normal wear and tear for three (3) years from date of purchase.

Headparts

All Argent replacement headparts will only be covered by warranty if the fault can be clearly shown to have existed as a result of defect in manufacture. There is a twelve (12) month warranty period only applicable for these replacement parts.

Exclusions

This warranty is for normal domestic and commercial use only and excludes any defect or injury caused by or resulting from misuse, abuse or neglect, accidental damage, improper installation or installation by unlicensed plumber, products not installed to relevant National Standards and State Regulations.



Brisbane

Level 3 / 18 Wandoo Street
Fortitude Valley QLD 4006

Sydney

80 Abercrombie Street
Chippendale NSW 2008

Melbourne

206-208 Coventry Street
South Melbourne VIC 3205

Perth

Unit 1 / 40 Collingwood Street
Osborne Park WA 6017

Technical Advice

1300 356 717

Fax

1300 656 057

www.argentaust.com.au

Australian Design Registration

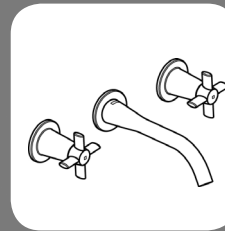
AUST. DES. REGN. NO. 305525
AUST. DES. REGN. NO. 305528

ARG-001-250, Inline Onyx & Twist Bath & Basin Set, Wall Stops V2.0

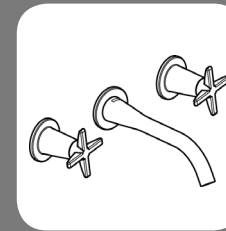


Onyx & Twist Wall Stop Onyx & Twist Wall Sets

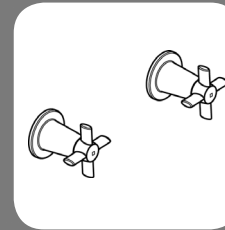
INSTALLATION INSTRUCTIONS



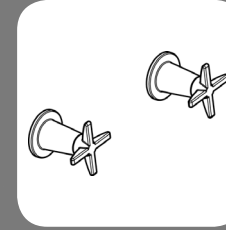
106254
Onyx Bath Wall Set



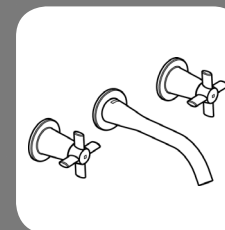
106253
Twist Bath Wall Set



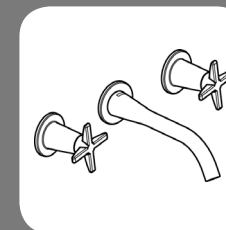
111054
Onyx Wall Stops



111053
Twist Wall Stops



105254
Onyx Basin Wall Set 5Lpm



105253
Twist Basin Wall Set 5Lpm



WELS 5 star rated
Nominal flow rate 5Lpm

MEASURE

PLEASE NOTE: Before starting any work use *Depth Ruler or Tape Measure* to ensure that the distance from the front of the combination to the finished wall surface is between 0 & 20mm.

PREPERATION

In wall combination is supplied by registered plumber/ installer. Ensure tap seat has a uniform smooth flat surface, square to the tap body face. If seat is worn reset using a parallel thread tap reseater. Hydroseal® brand recommended.

NOTE: *Head part supplied. Ceramic Disc Cartridge .For use in tap bodies made to Australian Standard AS3718.*

IMPORTANT!

1. *Do one complete wall stop first and test on your installation before cutting them both in case any additional adjustment is required. One spare Grey thermal barrier is supplied.*

2. *Make sure that the Grey thermal barrier is cut as true as practical*

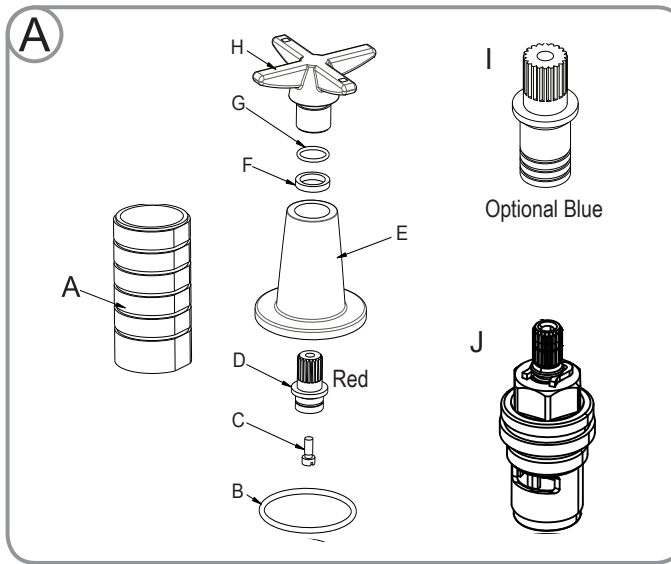
3. *Remove any swarf from the cut with a mild file.*

4. *Use a file to create a taper on the cut thread.*

MEASURE & CUT

See figure A

1. Now you have established the measurement required for this wall stop set, you can start the installation process. Go to the *Assembly Table* for cut recommendations. You may need to trim either or both of the following items, part (A) and part (I)



FINAL Installation Process See figure B

2. Screw both head parts provided (J) into the in-wall tap body (combination) firmly. Ensure red fiber washer is on the headpart in the correct position as illustrated.

3. Fit the grey thermal barrier (A) to the headpart; make a mark on this at 15mm from the finished wall, this is where the grey thermal barrier will need to be cut.

4. Using a mild file, clean up the cut on the grey thermal barrier, making sure the thread is clean and the cut is flat.

5. Before you fit the cut grey thermal barriers, test fit the assembled flange over head part to ensure the splines will engage, a minimum of 5mm engagement is required.

6. Attach the grey thermal barriers (A) onto the installed head parts. (These should have already been cut as detailed above or from the information in the assembly chart and once installed you should have between 10 & 15mm of this grey fitting exposed from the finished wall). **Do not proceed if you have less than 10mm or more than 15mm exposed of the grey thermal barrier. Cut one set 1st and test this before cutting both incase some adjustment is necessary. One spare grey thermal barrier supplied.**

7 Reassemble the flange assembly. If the Assembly table recommends using the longer spline extension, part (I), re-lubricate the 'O' ring (G) See figure A

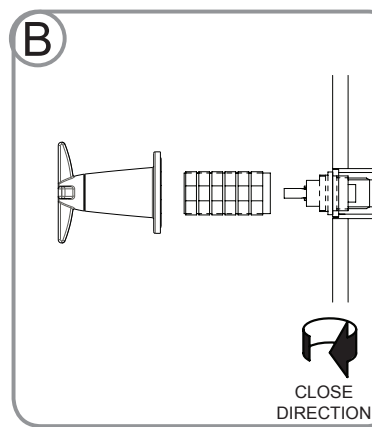
8. Holding the handle in the off position so it doesn't move, wind flange until it firmly touches the finished wall. Handle is in the off position when the symbols are horizontal and facing outwards) See figure B

9. If there is a noticeable gap between the back of the flange and the finished wall, recheck the Assembly Table recommendations and cut positions for accuracy. Also check if there is more than 15mm of the grey thermal barrier exposed and check the thermal spline extension is the correct one specified.

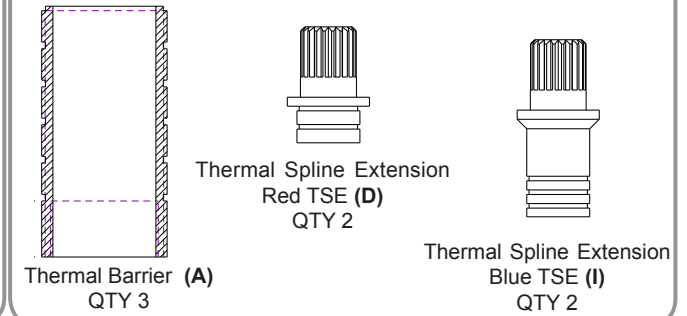
10. Use the blue rubber flange installation ring provided to protect the base of the flange from damage, before tightening with a suitable tool.

NOTE

Water Pressure; Refer AS/NZS 3500.1.2003 – Clause 3-3.4
"Provision shall be made to ensure that the maximum operating pressure at any outlet other than a fire service, within a building does not exceed 500KPA"



CUTTING TEMPLATE



ASSEMBLY TABLE

Depth Measurement : finished wall to the face of the internal pipework	Grey thermal barrier (A) –cuts required	Thermal spline extension (Red) –replace with Blue and cut as required below
From 0mm – 3mm	Cut at 1st rib from internal threaded end of grey barrier part (A)	Use assembled wall stop with Red TSE fitted no cut required to this item
From 4mm – 6mm	Cut half way between 1st & 2nd rib from internal threaded end of part (A)	Use assembled wall stop with Red TSE fitted no cut required to this item
From 7mm – 8mm	Cut at 2nd rib from internal threaded end of part (A)	Use assembled wall stop with Red TSE fitted no cut required to this item
From 9mm – 11mm	Cut at 2nd rib from internal threaded end of part (A)	Remove short Red TSE from assembled wall stop and replace with longer Blue TSE cut at the 1st groove from internal spline end
From 12mm- 14mm	Cut half way between 2nd & 3rd rib from internal threaded end of part (A)	Remove short Red TSE from assembled wall stop and replace with longer Blue TSE cut at the 1st groove from internal spline end
From 15mm- 19mm	Cut at 3rd rib from internal threaded end of part (A)	Remove short Red TSE from assembled wall stop and replace with longer Blue TSE no cut required
From 20mm- 21mm	Cut half way between 3rd & 4th rib from internal threaded end of part (A)	Remove short Red TSE from assembled wall stop and replace with longer Blue TSE no cut required
Greater than 21mm	Call Technical Advice 1300 356 717	Requires optional extended spindle set