



# Villeroy & Boch

1748

## Installation Instructions for **Wall-Hung Bidets** **Important Note: Villeroy & Boch Bidets are P-trap only**

### **1. Support Bracket**

All Wall-Hung bidets require a wall support bracket (recommended H Frame code 9954) installed behind the wall. Install the H frame as per the installation instructions provided with the frame. Ensure that the mounting rods are set at the height as per the set-out table below (E).

### **2. Waste Pipe Set-out**

Set the plumbing behind the wall such that it finishes at the height required according to the set-out table below (A<sup>#</sup>). Finish the set-out with an Iplex 40mm coupling (code D06340) protruding approximately 40mm past the finished wall.

**Important Note:** Please ensure that the pipework behind the wall is secured to ensure no movement when connecting the Bidet waste to the Iplex coupling.

### **3. Water Points Set-out**

The water points should finish at the height specified in the table below (C\*).

The wall is now ready to be sheeted; please check that all set-outs are as per the table below and that the H frame support bracket is firmly secured with no gap between the H frame and the wall sheeting.

### **4. Installing the Bidet**

Fit Bidet mixer and pop up waste to the bidet as per the bidet mixer installation instructions. The bidet mixer pop-up is a 32mm waste, therefore a 32mm - 40mm adaptor must be fitted to the waste.

Fit a 40mm short inlet P-trap trap (code 102115) to the adaptor. Cut a piece of 40mm PVC pipe to the required length to join the bidet waste to the Iplex coupling.

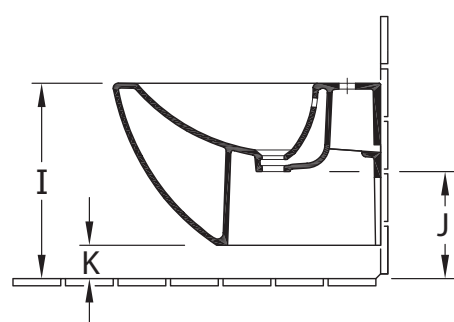
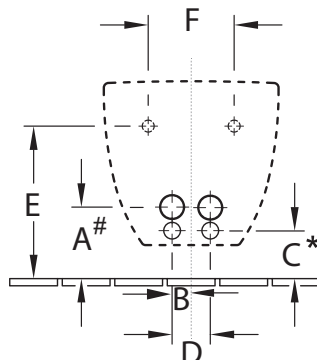
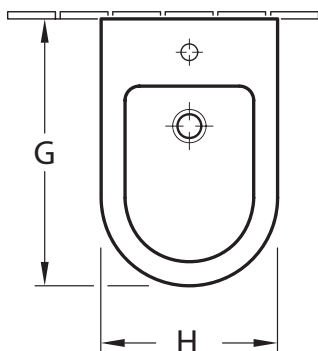
Connect the bidet mixer to the water supply and test for leaks. Push the bidet onto the mounting rods and secure in place.

### **Wall-hung Bidet Set-out Table**

Wall-Hung Bidets	A <sup>#</sup>	B	C*	D	E	F	G	H	I	J	K
Aveo	165	40	90	80	320	180	590	400	420	215	
Bellevue	190	40	90	80	320	180	590	375	410	240	85
Century	150	40	90	80	320	180	590	395	400	200	105
Editional	165	40	90	80	320	180	590	385	400	215	85
Magnum	155	40	90	80	320	180	560	370	400	205	145
Omnia	145	40	90	80	325	180	555	370	400	195	160
Purestone	200	40	90	80	320	180	590	525	390	250	110
Subway	175	40	90	80	320	180	560	370	410	225	70
Sunberry	165	40	90	80	320	180	560	370	410	215	60
Memento	210	40	170	80	320	180	560	375	460	295	185

A<sup>#</sup> = Waste Pipe set-out

C\* = Water points set-out





# Villeroy & Boch

1748

## Installation Instructions for Floor-Mounted Bidets

**Important Note: Villeroy & Boch Bidets are P-trap only**

### 1. Waste Pipe Set-out

Set the plumbing behind the wall such that it finishes at the height required according to the set-out table below (A<sup>#</sup>). Finish the set-out with an Iplex 40mm coupling (code D06340) protruding approximately 40mm past the finished wall.

**Important Note: Please ensure that the pipework behind the wall is secured to ensure no movement when connecting the Bidet waste to the Iplex coupling.**

### 2. Water Points Set-out

The water points should finish with a 15mm female thread at the height specified in the table below (C\*).

The wall may now be sheeted, please check that the plumbing and water set out heights are as per the table below.

### 3. Installing the Bidet

Fit Bidet mixer and pop up waste to the bidet as per the bidet mixer installation instructions. The bidet mixer pop up is a 32mm waste, therefore a 32mm - 40mm adaptor must be fitted to the waste.

Fit a 40mm short inlet P-trap trap (code 102115) to the adaptor. Cut a piece of 40mm PVC pipe to the required length to join the bidet waste to the Iplex coupling.

If you are installing an Omnia Pro bidet, place it into position and mark the position of the screw holes. Remove the bidet and drill holes for the screws. Refit the bidet and screw into place. All other bidets are supplied with fixing brackets. In these cases push the bidet into position to mark the position of the fixing brackets.

Place the bidet in the position in which it is to be installed and mark the outline of the bidet on the floor under the fastening holes. Mark a point on the drawn line under the position of the centre of the fastening holes (see Fig 1).

Remove the bidet and join the two marked points with a line. Mark two drilling holes on this line at a distance of 45mm from the outer edge of the bidet. Drill the two marked fastening holes and attach the supplied plastic brackets as shown in the drawing (see Fig 2). Ensure that the outer contour of the bidet is parallel with the outer surface of the mounting bracket.

Place the bidet over the fastening brackets, check that it is in the correct position for installation (see Fig 3).

Remove the bidet and connect the water points to the bidet mixer. All wall-faced bidets are supplied with an installation kit (code 92083100) to help connect the water. The support bracket supplied with this kit is not required. Install the 2 stop taps and the flexible hoses that are provided with the kit. Attach to the bidet mixer; slide the bidet into position ensuring the waste is securely connected. Test that the bidet functions correctly, with no leaks, before securing the bidet to the brackets and sealing around the base with a bead of silicon.

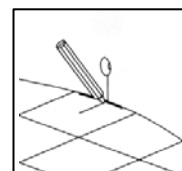


Fig.1

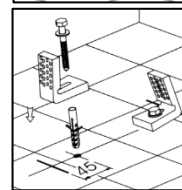


Fig.2

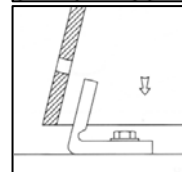


Fig.3

### Floor-mounted Bidet Set-Out Table

Floor-Mounted Bidets	A <sup>#</sup>	B	C*	D	E	F	G	H
Aveo	145	40	90	80	570	410	400	195
Bellevue	190	40	90	80	560	375	410	240
Century	160	40	90	80	570	385	410	210
Editional	165	40	90	80	570	385	400	215
Magnum	140	40	90	80	570	375	390	190
Omnia	135	40	90	80	620	370	390	185
Subway	165	40	90	80	570	370	400	215
Sunberry	165	40	90	80	570	375	400	215

A<sup>#</sup> = Waste Pipe set-out

C\* = Water points set-out

