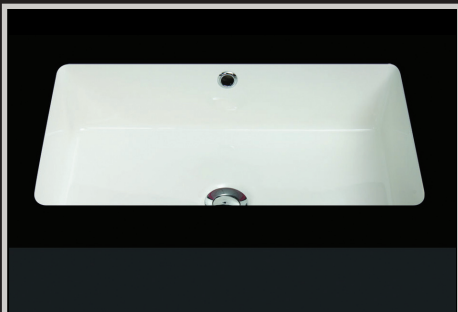


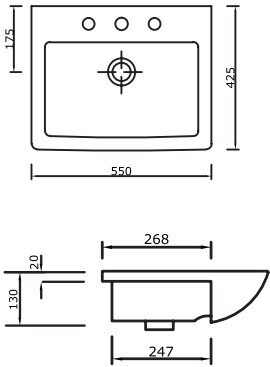
# Mode Range



## TP14TUL01

### Semi-Recessed Basin

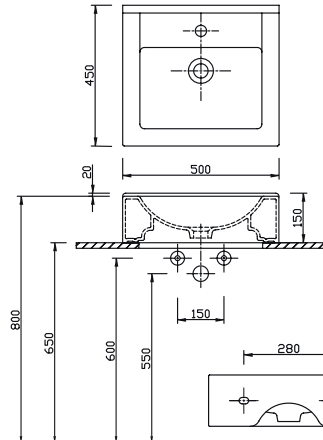
550x425mm Semi-Recessed Basin 1 tap hole.  
Note: TP14TUL07 3 tap hole variant.



## 405801

### Wall Mounted Basin

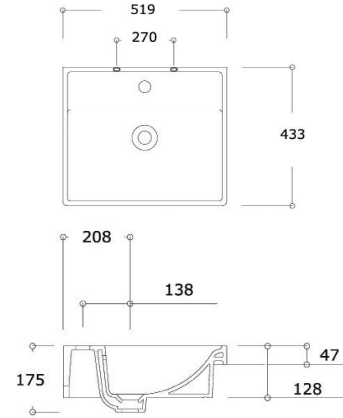
500x450x150mm Wall Mounted Basin 1 tap hole. 32mm waste, no overflow.



## TP10TUL01

### Semi-Inset Wall Mounted Basin

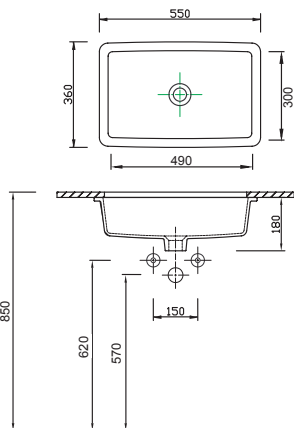
Square 520x435mm Semi-Inset Wall Mounted Basin 1 tap hole. Note: TP10TUL07 3 tap hole variant.



## 410501

### 550mm Under Counter Basin

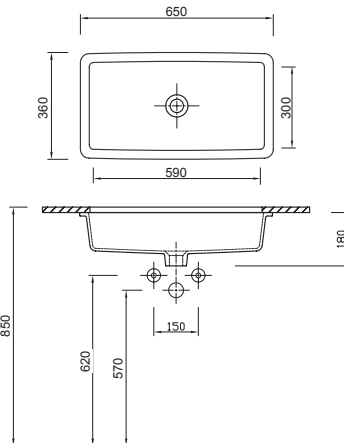
550x360mm OD, 490x300mm ID Under Counter Basin. Note: Flexible sealant only to be used between basin rim and benchtop.



## 410601

### 650mm Under Counter Basin

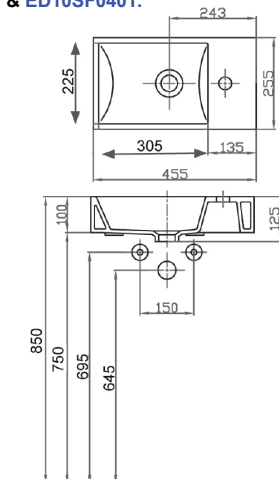
650x360mm OD, 590x300mm ID Under Counter Basin. Note: Flexible sealant only to be used between basin rim and benchtop.



## 4057701

### Small Wall Mounted Basin

455x255x100mm Wash Basin 1 tap hole. Basin fits Argent Edo Furniture: ED10SW0401 & ED10SF0401.

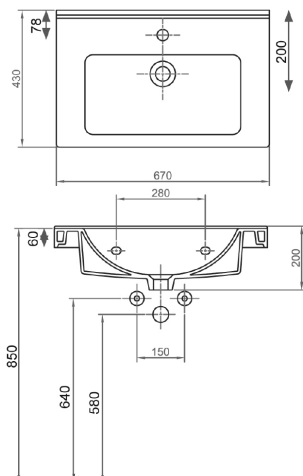


## 403201

### 670mm Wall Mounted Basin

670x430mm Wall Mounted Basin 1 tap hole. Note: 40320301 3 tap hole variant.

Basin fits Argent Modo Furniture: MO10SW0601.

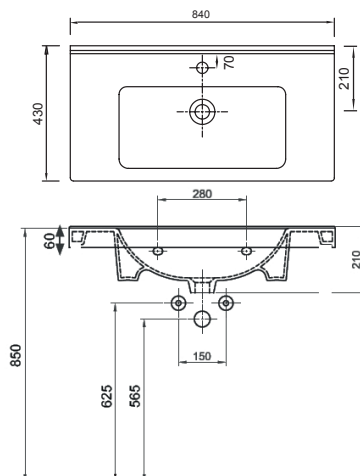


## 403301

### 840mm Wall Mounted Basin

840x430mm Wall Mounted basin 1 tap hole. Note: 40330301 3 tap hole variant.

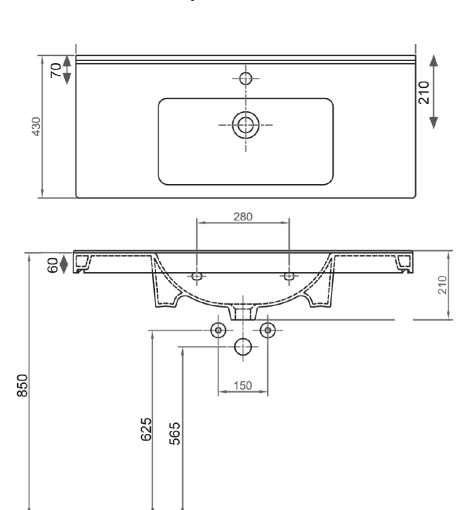
Basin fits Argent Modo Furniture: MO10SW0801.



## 403401

### 1030mm Wall Mounted Basin

1030x430mm Wall Mounted basin 1 tap hole. Note: 40340301 3 tap hole variant.



Technical Advice Hotline 1800 356 717

email: [ac@argentaust.com.au](mailto:ac@argentaust.com.au)

[www.argentaust.com.au](http://www.argentaust.com.au)

**Argent Central**  
Ph: 1300 364 748  
Fax: 1300 656 057

**Brisbane**  
Ph: 07 3252 6101  
Fax: 1300 656 057

**Melbourne**  
Ph: 03 9250 1600  
Fax: 03 9250 1699

**Sydney**  
Ph: 02 8394 5800  
Fax: 02 8394 5888

**Perth**  
Ph: 08 9445 0500  
Fax: 08 9445 0510