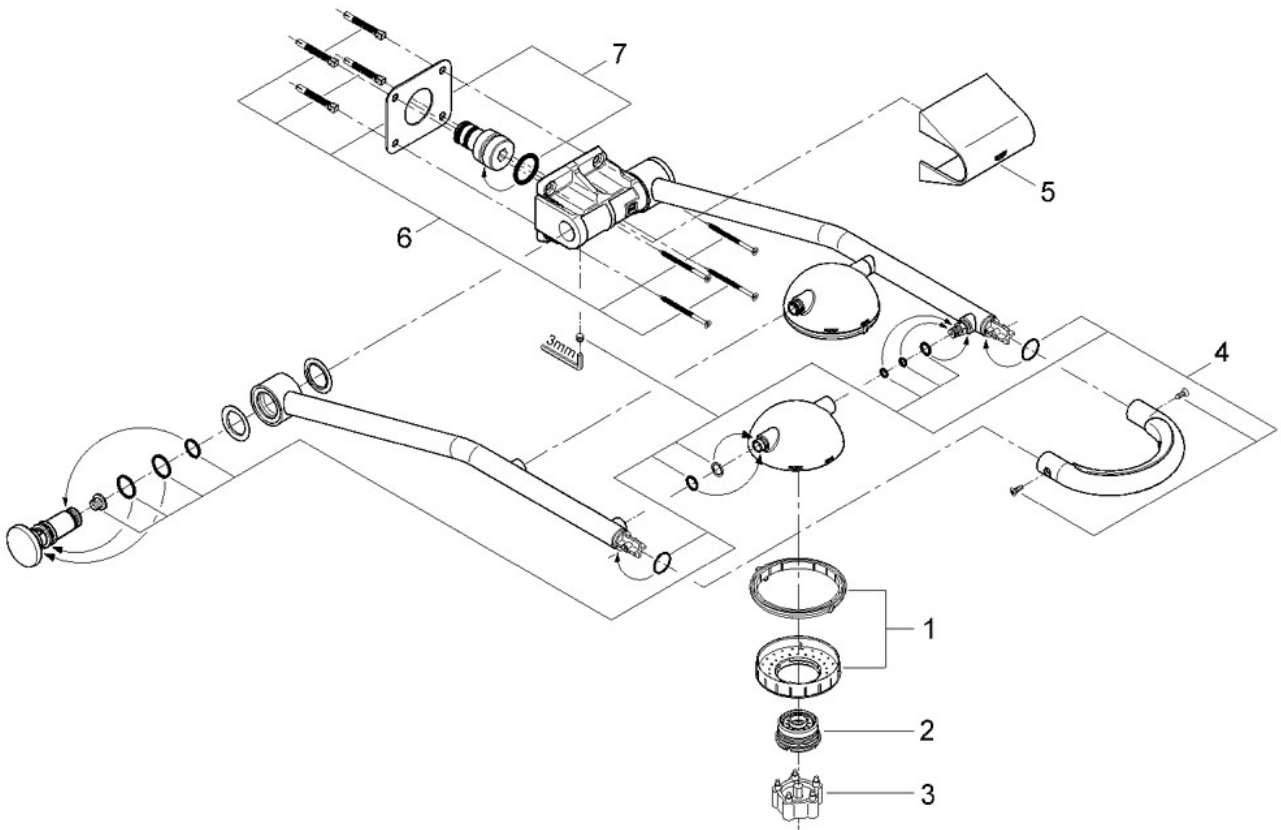




Freehander®
27 005 Shower System for concealed installation
Spareparts (chrome)



Pos.-No.	Description	Order-No.	Unit
1	Spray faceplate	45877 P00	1
2	Repl.kit f.shower	45656 XX0	1
3	Disassembling key (for Relexa Plus, .	45654 000	1
4	Repl. kit f. seal	45878 000	1

Pos.-No.	Description	Order-No.	Unit
5	Cap	45879 000	1
6	Fastening set	45898 000	1
7	Repl. kit f. seal	45901 000	1