

# SENTIQUE BTW SUITE

Modern Style. Timeless Design



# SENTIQUE BTW TOILET SUITE

Modern ... Timeless ... Versatile



SENTIQUE BACK-TO-WALL TOILET SUITE



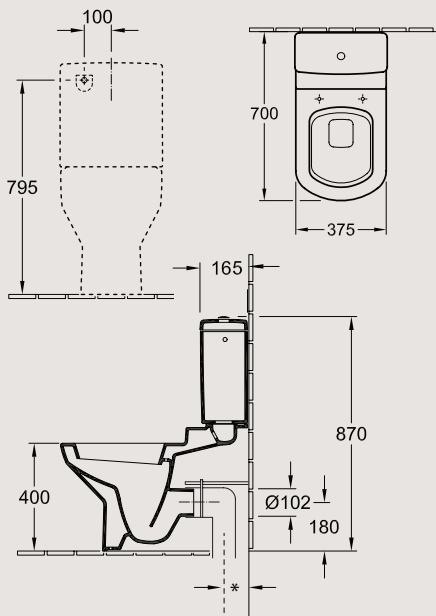
5615

S-Trap and P-Trap available  
WELS 4.5/3L 3 Star

Supplied standard with:



SOFT CLOSE



\*Recommended s-trap waste set-out 140mm (adjustment range 80-170mm)  
\*Rear water entry point requires 1/2" female BP wall elbow installed flush with the finished wall

Sentique combines straight lines and discreet curves to achieve a perfect balance. The faceted edge provides added elegance and the solid materials & high-quality workmanship ensure the necessary robustness for a long life.

The Sentique Back-To-Wall Suite offers:

- Smooth-sided pan with concealed fastenings
- High quality German flushing mechanism plus rapid, quiet fill valve
- Concealed rear water inlet with mini cistern stop
- Variable bend available to accommodate a range of s-trap waste set-outs
- Easy-clean **ceramicplus** finish & soft closing seat included
- 10 year warranty on Villeroy & Boch soft closing seat mechanism
- 5 year warranty on ceramics

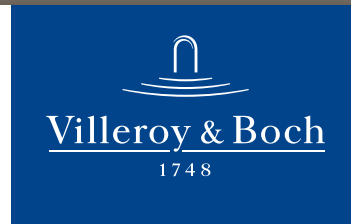
The Sentique Back-To-Wall Suite is the ideal option to compliment not only the Sentique family of basins but also the Villeroy & Boch collections of Bellevue, Memento, La Belle & Subway.



Visit [www.argentaust.com.au](http://www.argentaust.com.au) for further information on any of these ranges or call 1300 364 748 to find your nearest retail showroom or ARC.

VILLEROY & BOCH AG

Unternehmensbereich Bad und Wellness  
Postfach 1230 · 66689 Mettlach · GERMANY  
Telefon +49 68 64 81-1500 · Fax +49 68 64 81-1484  
[verkauf@villeroy-boch.com](mailto:verkauf@villeroy-boch.com)



WWW.VILLEROY-BOCH.COM



Argent Australia Pty Ltd  
Technical Advice Hotline 1800 356 717  
Email: [ac@argentaust.com.au](mailto:ac@argentaust.com.au)

Argent Central  
Ph: 1300 364 748  
Fx: 1300 656 057

Melbourne  
Ph: 03 9250 1600  
Fx: 03 9250 1699

Sydney  
Ph: 02 8394 5800  
Fx: 02 8394 5888

Brisbane  
Ph: 07 3252 6101  
Fx: 1300 656 057

Perth  
Ph: 08 9445 0500  
Fx: 08 9445 0510

[www.argentaust.com.au](http://www.argentaust.com.au)