

The company

Bette is Germany's premium manufacturer of pressed metal baths. Founded in 1952, Bette has developed into a specialist in the design and production of quality steel baths. Creating baths with a distinctive beauty all of their own.

Using a self-developed Deep Draw manufacturing process, Bette have been able to create a diverse range of baths that set them apart from the competition. The Deep Draw method sends flat sheets of steel through a highly advanced steel press, with each stage passing through a modular sequence of tools. Producing a perfectly shaped bath, every time.

The material

Bette baths are made from titanium based steel for extra strength and are enameled with finest glass granulate for a superior finish. The Bette enamel, which was developed with the assistance of global research enterprise Bayer, provides a thinner glaze that is more resilient to shock. Compared with other materials, Bette enamel is more hardwearing and resistant against scratching. Another important advantage is that enamel has a high level of protection from light/UV-related colour fading and also damage from heat.

The brilliant colour achieved from the thin granules of glass is unmatched. But the finish also provides many practical advantages including better hygiene and ease of cleaning – soap residue, dirt and bacteria struggles to attach itself to the surface of the bath due to the bath surfaces' microscopic pores.

Each bath follows a stringent quality control to ensure the bath is immaculately manufactured and will stand up to the constant wear and tear of bathing and showering. In fact, Bette bath's high quality and durability are guaranteed for 30 years.

The products

Within the comprehensive range of Bette baths you will find the perfect solution to your bathroom design. Each bath has a unique design and internal shape making it suitable for many applications.

The vision

The bathroom is increasingly considered the haven of a busy household. Though not only a place to relax and rejuvenate, but a place to draw inspiration and enjoy. Bette's design philosophy of combining sophisticated modeling with the latest European design trends ensures their baths are stylish, comfortable and practical – creating a bathroom oasis for you and your family.



BetteForm

Lie back and enjoy the support and comfort of the ergonomically designed BetteForm. The internal lines and contours have been shaped to suit the body's natural curves to maximize bathing pleasure. Available in a wide range of sizes, choose the BetteForm that suits you.

1500 x 700mm, 1600 x 700mm, 1600 x 750mm, 1700 x 700mm, 1700 x 750mm, 1800 x 800mm Available with (as pictured) and without overflow



BetteSet

At last, practicality unites with comfort. BetteSet is the perfect choice for a practical small bathroom solution. BetteSet features a widened flat foot area for optimum showering and is available with an optional BetteAntislip finish for added showering safety. BetteAntislip, a permanently baked on mixture of quartz and sand, gives you the confidence to shower without fear of slipping.

But when it is time to lie back and enjoy a long relaxing bath, the softly sloping end wall and generous bath width provides the perfect place to unwind.

1500 x 750mm, 1600 x 750mm, 1700 x 750mm, 1800 x 800mm



BetteTrend

BetteTrend is masterfully crafted and is packed with features that are the latest trends from Europe. Strong straight internal lines, an integrated raised showering pad, comfortable molded head rest and side mounted overflow provide the bath with superior features that make it a must have in your bathroom.

1700 x 750mm



BetteDuett

As the name suggests, this bath is perfect for ensuring bathing for two is comfortable. With balanced proportions, softly rounded inner shapes, side mounted overflow and centre waste, two people can sit in the bath and wash away their worries.

1700 x 800mm



BetteDuo

The BetteDuo is efficiently designed to maximize internal dimensions and provide a pleasurable bathing experience for two. Its unique internal arm rests that run in parallel down the sides of the bath provide added comfort. Both ends are gently sloping allowing two people the maximum enjoyment from their bathing experience.

1800 x 800mm



BetteFamily

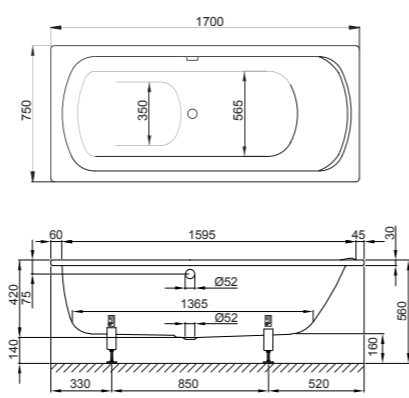
The bath for the whole family. Available in both rectangular and oval models, BetteFamily provides generous depth for a long hot soak and features an internal step to allow children to sit comfortably and make entry to the bath easy. The well constructed design, by European designer Dorian Kurz, is evident in its practical function. Other features include spacious width, central waste and overflow and body shaped walls of the bath.

Rectangular 1800 x 800mm
Oval 1850 x 850mm





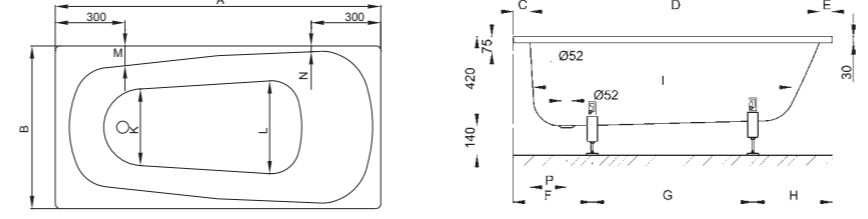
BetteTrend 1700 x 750mm



Product Code: B3570
Volume: 168L

BetteForm

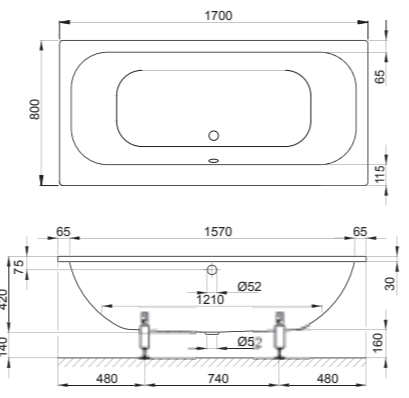
1500 x 700mm, 1600 x 700mm, 1600 x 750mm, 1700 x 700mm, 1700 x 750mm, 1800 x 800mm



Product Code	A	B	C	D	E	F	G	H	I	K	L	M	N	P	Volume
B3500*	1500	700	80	1360	60	460	590	460	1145	420	480	100	60	225	96L
B3600*	1600	700	85	1450	65	440	640	520	1225	420	480	95	60	225	108L
B3620*	1600	750	85	1450	65	440	640	520	1225	420	480	120	85	225	108L
B3970*	1700	700	85	1550	65	450	700	550	1300	420	480	90	65	240	120L
B3710*	1700	750	85	1550	65	450	700	550	1300	435	495	110	75	255	120L
B3800*	1800	800	85	1645	70	420	770	610	1350	435	495	130	80	230	136L

*Available with and without overflow hole. Add 'AD' for overflow or 'LULAD' without overflow.

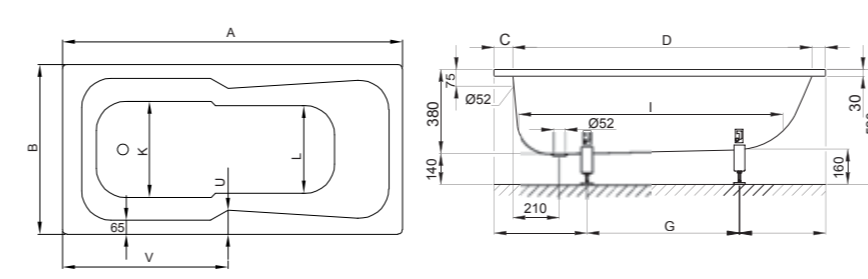
BetteDuett 1700 x 800mm



Product Code: B3100
Volume: 128L

BetteSet

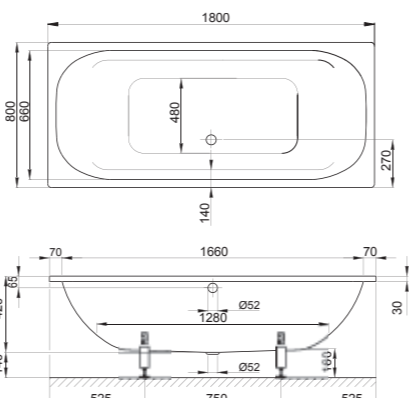
1500 x 750mm, 1600 x 750mm, 1700 x 750mm, 1800 x 800mm



Product Code	A	B	C	D	E	F	G	H	I	K	L	U	V	Volume
B2560*	1500	750	85	1355	60	420	690	390	1195	560	470	130	720	94L
B3660*	1600	750	85	1455	60	420	750	430	1250	560	470	130	740	106L
B3060*	1700	750	95	1545	60	420	800	480	1350	560	470	130	800	116L
B3860*	1800	800	85	1655	60	440	840	500	1435	610	520	130	820	140L

*Available with and without Antislip. Add 'AR' for Antislip.

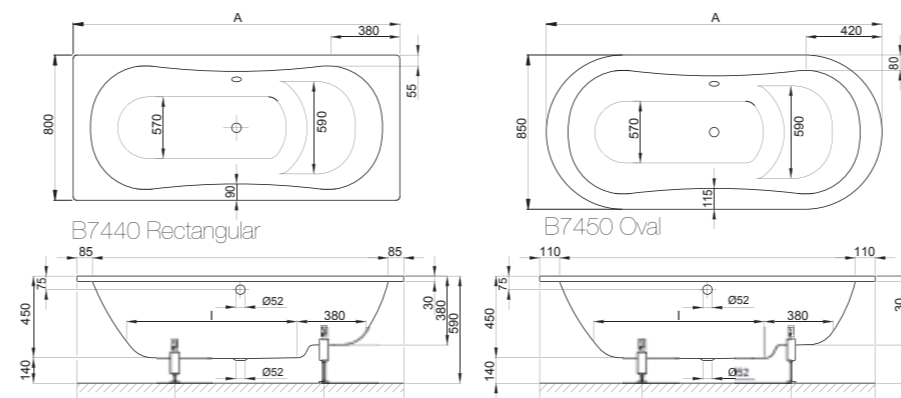
BetteDuo 1800 x 800mm



Product Code: B3820
Volume: 143L

BetteFamily

Rectangular 1800 x 800mm
Oval 1850 x 850mm



Product Code	A	D	G	I	Volume
B7440	1800	1630	820	940	170L
B7450	1850	1630	820	940	170L

INSTALLATION NOTES: BetteForm without overflow requires 40mm waste (P/N 09672555). All other baths in this brochure require Waste Overflow Combination (P/N 90950061B). Tiling Lip is available to suite built-in applications (P/N 994622) For built-in applications bath feet are recommended (marked on technical drawing).

Products in this brochure are subject to design patent



BETTE
Baden und Duschen

www.argentaust.com.au

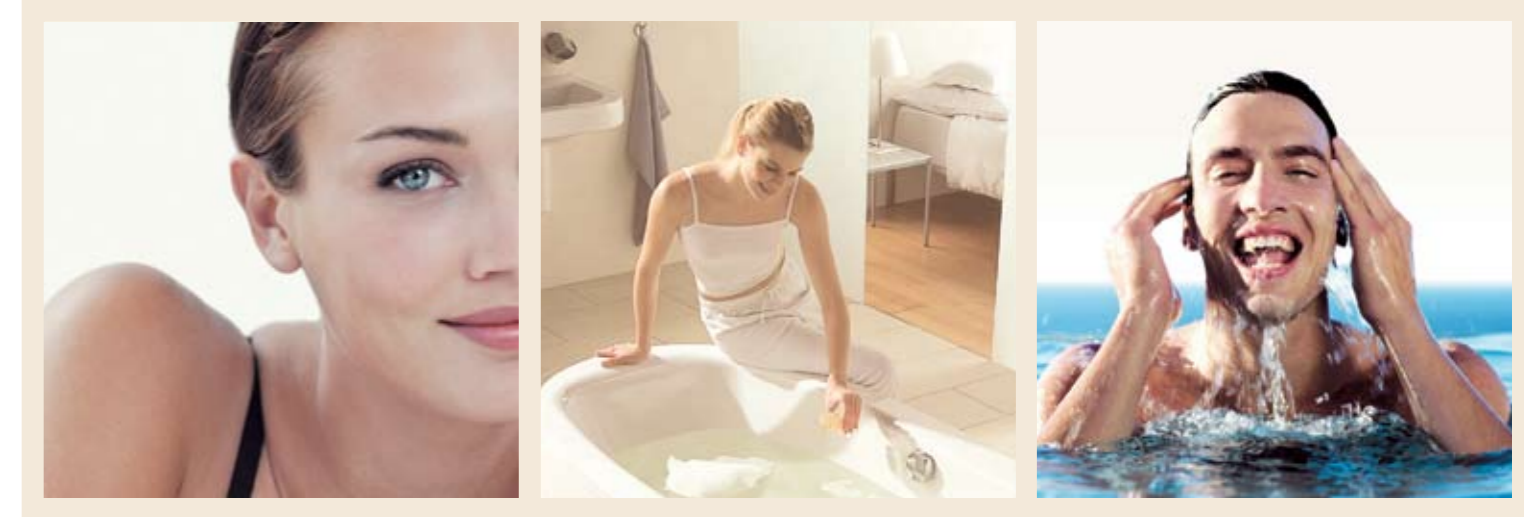
Brisbane
18 Wandoo Street
Fortitude Valley QLD 4006
Phone: 07 3252 6101
Fax: 1300 656 057

Sydney
80 Abercrombie Street
Chippendale NSW 2008
Phone: 02 8394 5800
Fax: 02 8394 5888

Technical Advice Hotline 1800 356 717
e-mail ac@argentaust.com.au

Melbourne
206 - 208 Coventry Street
South Melbourne VIC 3205
Phone: 03 9682 1231
Fax: 03 9696 7661

Argent Central
PO Box 2093
Fortitude Valley QLD 4006
Phone: 1300 364 748
Fax: 1300 656 057



BETTE
Baden und Duschen

S1104W