

Grohe Touch

Simplicity at its Best

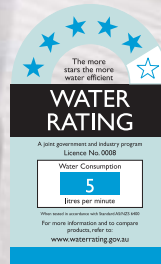


 GROHE StarLight®

Dazzling surface finish
Radiant long-life shine

 GROHE SilkMove®

Velvet-soft movement
Absolute precision



The new GROHE Touch with GROHE SilkMove®

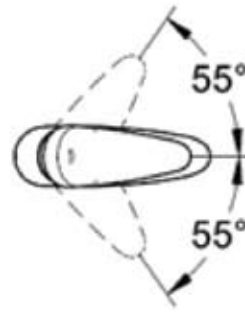
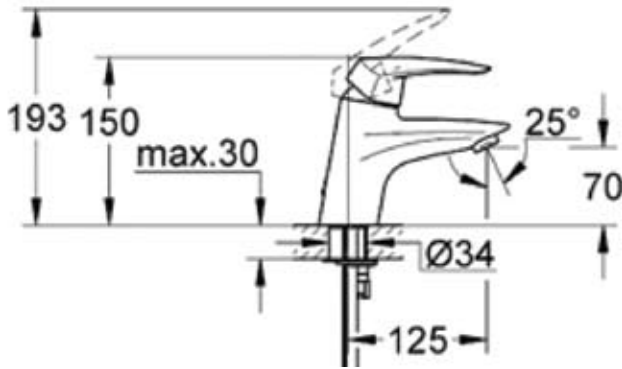
Grohe Touch is a simplistic design that is matched by two of GROHE's unique technologies: GROHE SilkMove®, for an unbeatable smooth performance, and GROHE StarLight® for an intense shine. It is a covetable combination of true craftsmanship and pristine style – a great feeling product.



GROHE®

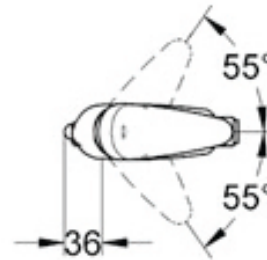
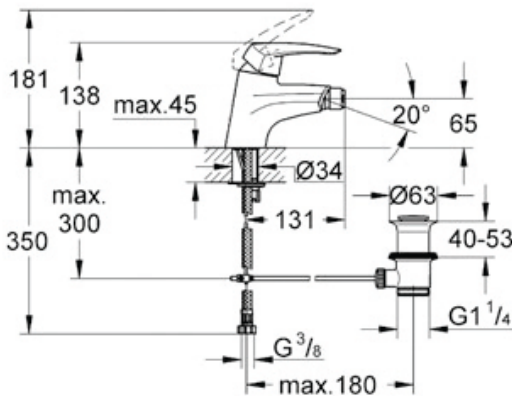

ENJOY WATER

Grohe Touch Single Lever Basin Mixer
 5 L/pm 5 star rating
 4 L/pm 6 star rating



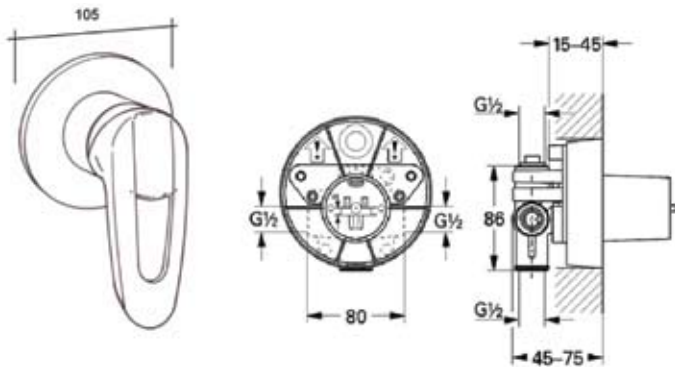
5 Star: 36603B
 6 Star: 36603006

Grohe Touch Single Lever Bidet Mixer
 with pop-up waste and swivel nozzle



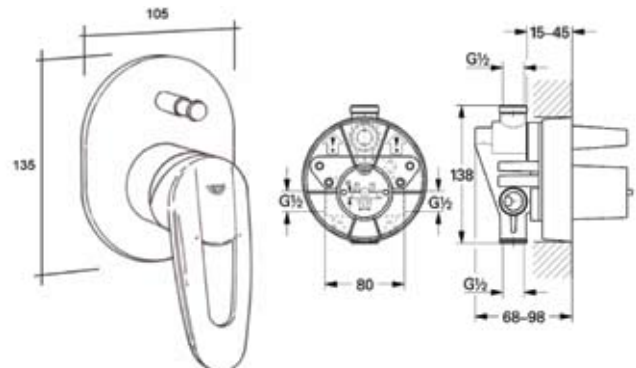
36244B

Grohe Touch Small Shower Mixer



with small round coverplate 59441XB + 53966B

Grohe Touch Bath or Shower Diverter Mixer



with small oval coverplate 59422XB + 53965B

Brisbane

18 Wandoo St Fortitude Valley QLD 4006
 Ph: 07 3252 6101 Fax: 1300 656057

Melbourne

206 Coventry St South Melbourne VIC 3205
 Ph: 03 996 7661 Fax: 03 9696 7661

Sydney

80 Abercrombie St Chippendale NSW 2008
 Ph: 02 8394 5800 Fax: 02 8394 5888

Perth

Unit 1/40 Collingwood St Osborne Park WA 6017
 Ph: 08 9445 0500 Fax: 08 9445 0510

Argent Central

PO Box 2093 Fortitude Valley QLD 4006
 Ph: 1300 364 748 Fax: 1300 656 057

Technical Advice Hotline 1800 356 717

email: ac@argentaust.com.au

www.argentaust.com.au

