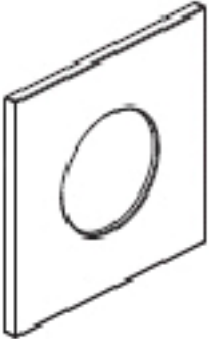


Small trim Plates Installation Instruction

NB: Applies for small round, square and combination trim plates

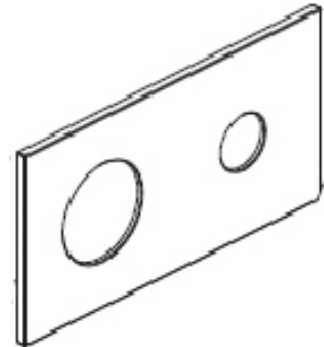
Square



Round



Combination



1) For Combination trim only, Centre of water outlet must be 95mm from centre of shower mixer body and can be located to the right or left of the centre of the mixer body

2) Disassemble the inner and outer (6) coverplate assembly, taking care not to damage the 'O' ring (2) on the inner coverplate.

3) Fit dome (5) to shower mixer body.

4) Fit the inner coverplate to wall using the two fixing screws (4) to the shower mixer body. Ensure the rear seal (1) has a positive seal on the wall.

DO NOT OVER TIGHTEN

Push in the 'O' ring (3) between the inner coverplate and the dome until it has seated properly in the groove provided.

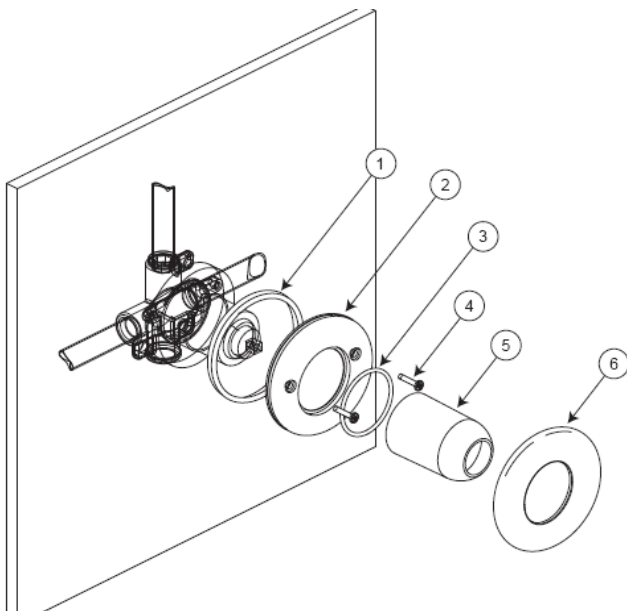
5) Ensure the 'O' ring (2) is positioned correctly in the outer groove on the inner cover plate.

6) Position outer coverplate (6) over the dome and push into place over inner coverplate and 'O' ring (2) seal.

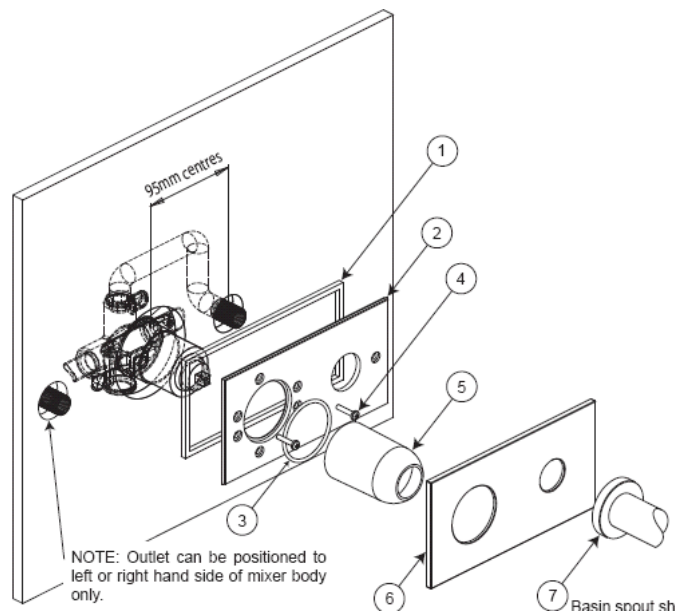
7) If coverplate is hard to fit, inner coverplate should be checked for over tightening

8) For Combination trim only, Wall spout / fitting (7) to be installed on top of the coverplate assembly as shown using tread seal tape..

Square/ Round



Combination

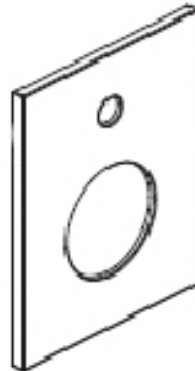


Diverter trim Plates Installation Instruction

NB Applies for oval and rectangular diverter trim plates



Oval Trim



Rectangular Trim

- 1) Disassemble the inner and outer (6) coverplate assembly, taking care not to damage the O-ring (2) on the inner coverplate.
- 2) Remove brass blanking plug from in wall body and screw diverter button into diverter mixer body.
- 3) Fit dome (5) to diverter mixer body
- 4) Fit inner coverplate to wall via the two fixing screws (4) to the diverter mixer body.
- 5) Ensure the rear seal (1) has a positive seal on the wall. **DO NOT OVER TIGHTEN**
- 6). Push in the 'O-ring (3) between the inner coverplate and the dome and the inner coverplate and the diverter until they are seated properly in the grooves provided.
- 7) Ensure the 'O-ring (2) is positioned correctly in the outer groove on the inner cover plate.
- 8) Position outer coverplate (6) over the dome and diverter button and push into place over inner coverplate and 'O-ring (2) seal.
- 9) If coverplate is hard to fit, inner coverplate should be checked for over tightening

Technical advice – Contact Argent Central on 1800 356 717

