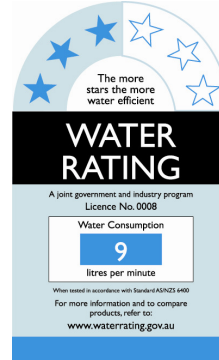
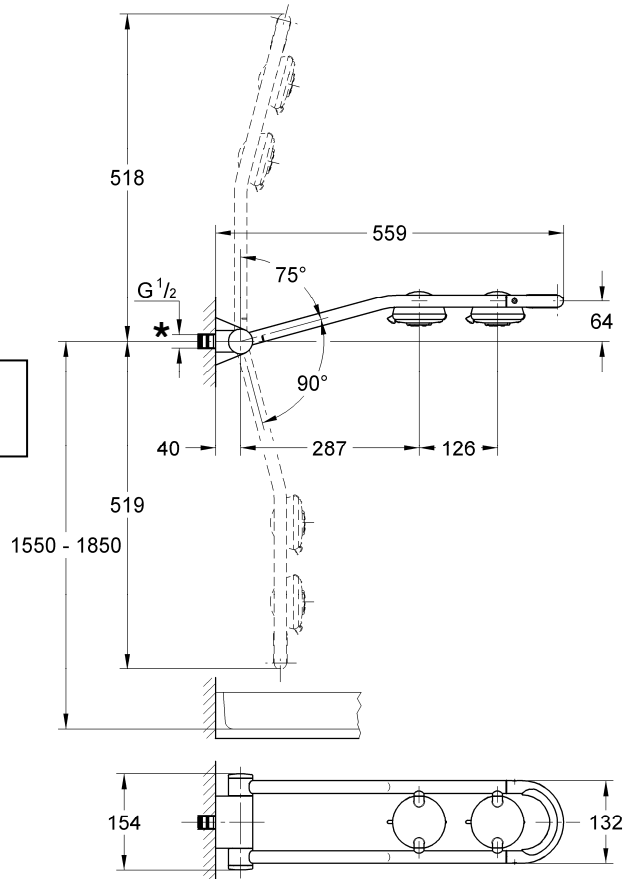


Freehander Shower



TECHNICAL SPECIFICATIONS

* – 1/2" female BSP thread adaptor supplied standard

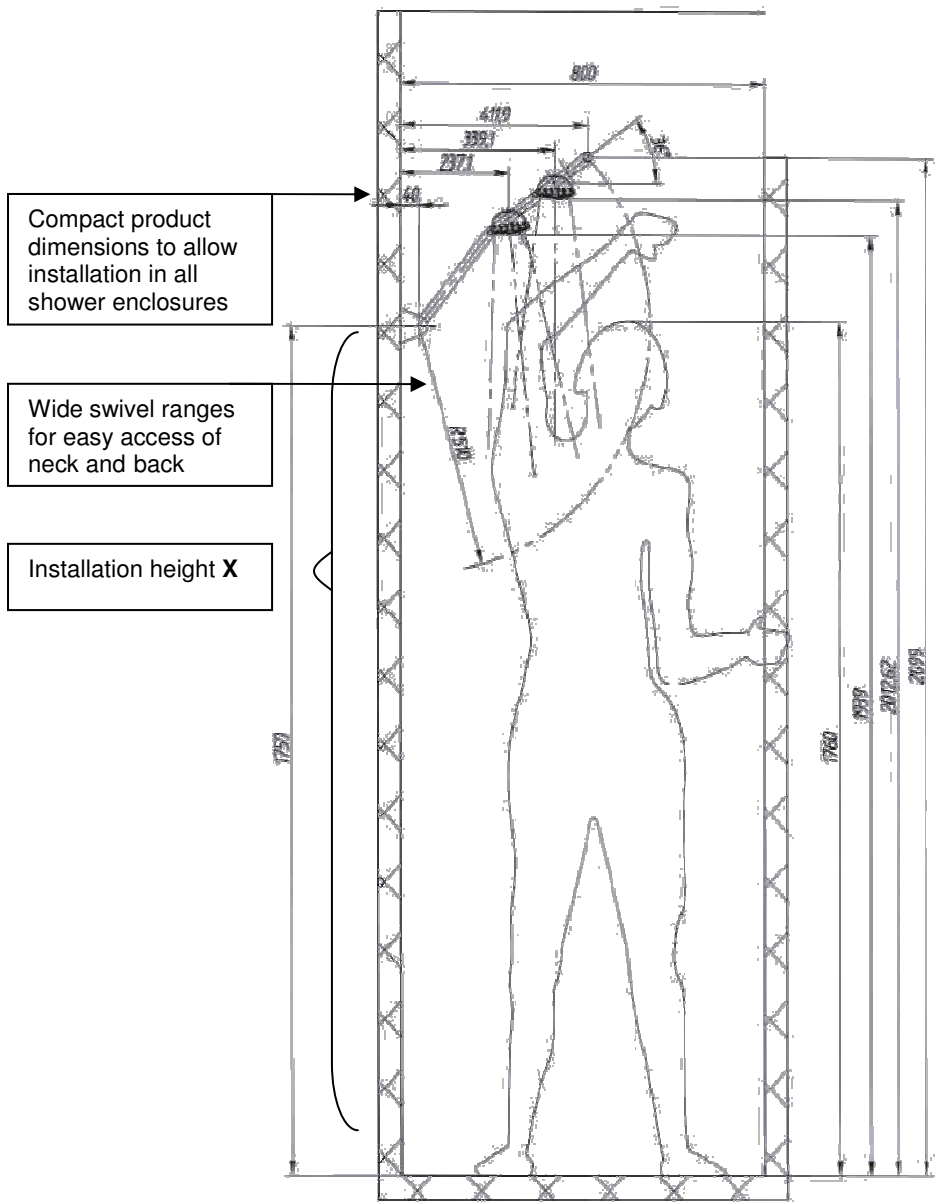


Further Installation Dimensions Attached...

PRODUCT NO: 27005B, Freehander Adjustable Overhead / Body Shower

INSTALLATION DIMENSIONS

- Ensure Freehander is installed on the appropriate wall side where shower doors open inwards
- Ensure that an appropriate reinforcement is in place for sufficient strength (E.g. On plasterboard walls)
- Installation height (X) should be adapted to the body height of the user



Recommended installation height: (Dimensions)

Body height approx.	1600	1650	1700	1750	1800	1850	1900
Installation height (X) Approx.	1550	1600	1650	1700	1750	1800	1850