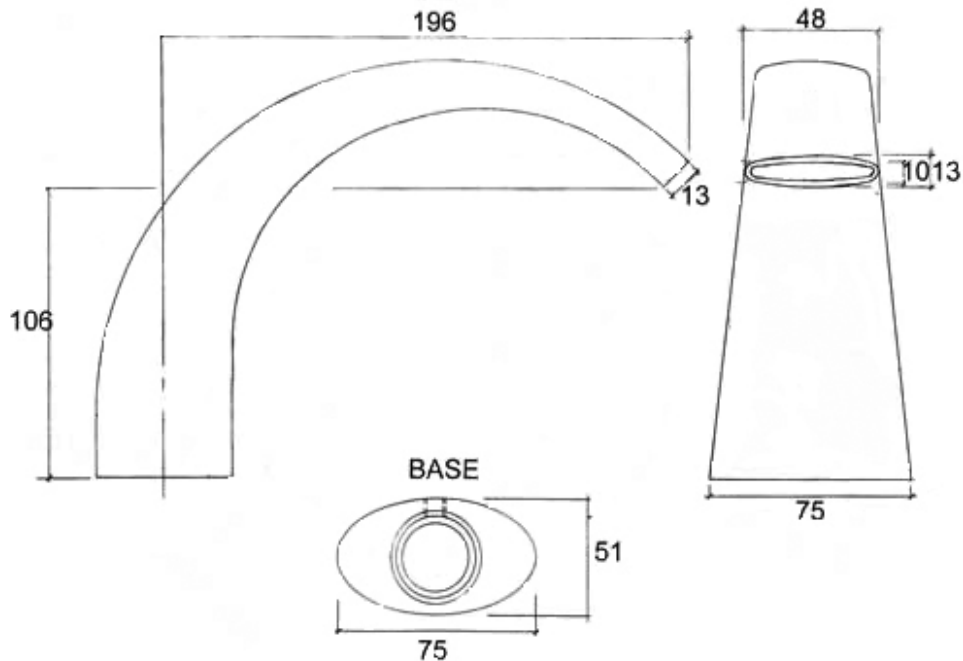




Cascade Hob Spout



TECHNICAL SPECIFICATIONS



PRODUCT NO: **92626**, Cascade Hob Spout – 196 mm Reach – with 15mm (1/2") BSP female thread
(Note: Spout is fitted to O'ring Spigot)