
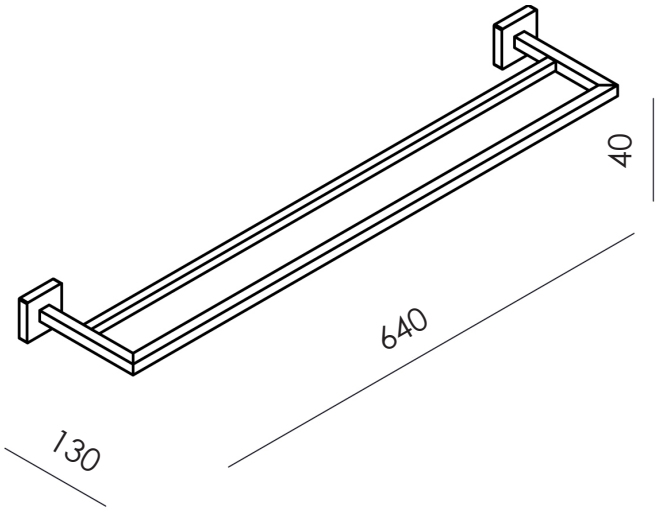




LINE 600 Double Towel Rail

Product Image	Technical Specification
	

Description	Additional Information
<p>LINE 600 DOUBLE TOWEL RAIL</p> <p>AR21802</p>	<ul style="list-style-type: none"> • Chrome Plated • 600mm Centres