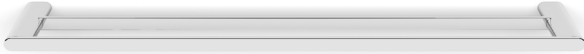
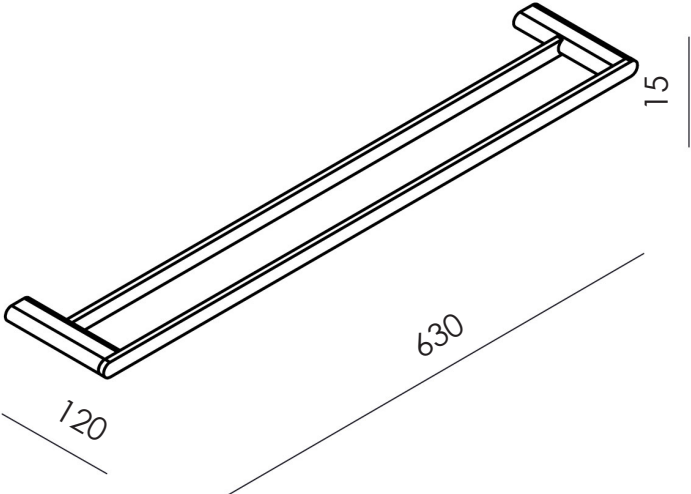




# LOFT 600 DOUBLE TOWEL RAIL

| Product Image   | Technical Specification   |
|---|---|
|  |  |

| Description   | Additional Information   |
|---|--|
| <p>LOFT 600 DOUBLE TOWEL RAIL</p> <p><b>AR33002</b></p> | <ul style="list-style-type: none"> <li>• Chrome Plated</li> <li>• 600mm Centres</li> <li>• AR330TD Trouble Disc Available if required</li> </ul> |

