
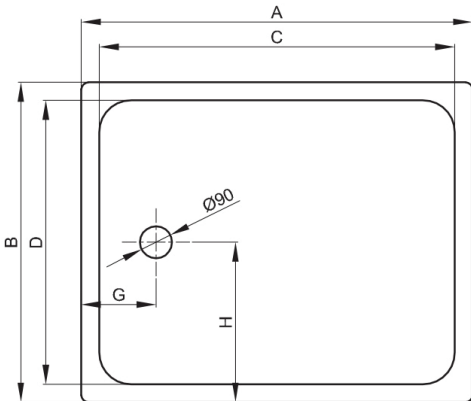


BETTE

BETTE RECTANGULAR 1200 SHOWER TRAY

Product Image							Technical Specification	
								
dimension	A	B	C	D	G	H	article no.	drain
120 x 90 x 3,5 cm	1200	900	1100	800	210	450	1260	Ø 90

Description
Bette Rectangular 1200 Shower Tray B1260B

Additional Information
Available options: 9AA003C 80 to 50mm Waste Set
<ul style="list-style-type: none"> • Includes Tiling Lip • Waste Not Included
Important Installation Note: Clearance required under shower tray to fit Bette or other shower waste will vary depending on installation – please see detailed installation instructions at www.argentaust.com.au or call the Argent Tech Hotline on 1800 356 717

