



Mechanical Urinal Push Button

White

Product Image



Product Details

SKU:	028001599B
Brand:	Schell
Range:	Urinal
Warranty:	2 Years
WELS:	N/A

Additional Features

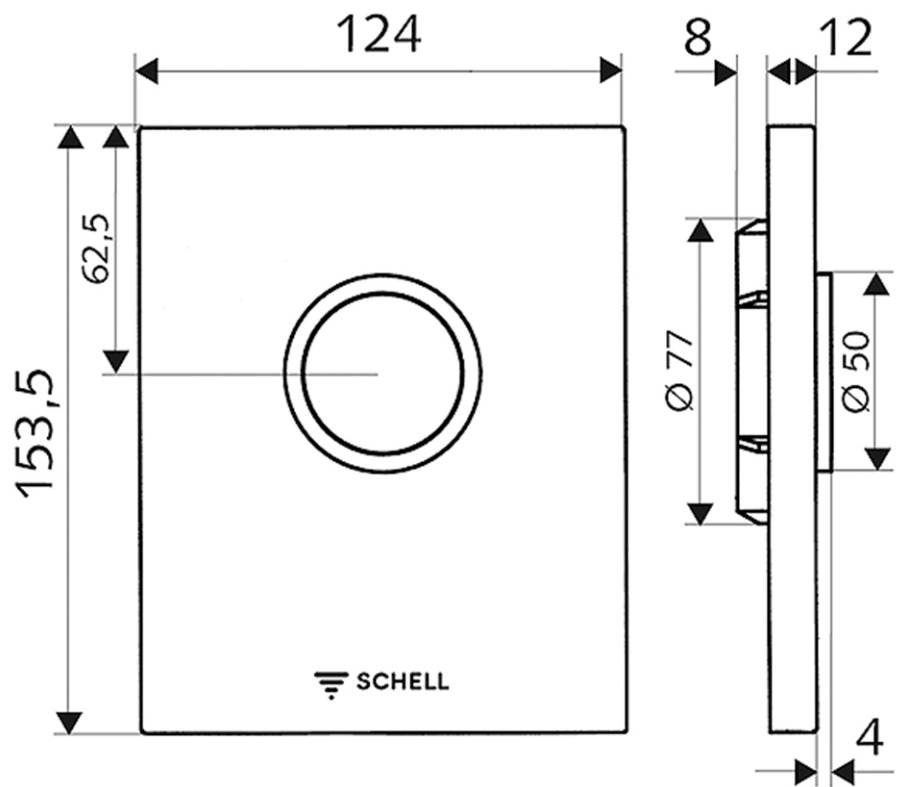
Required Product
011430099 Urinal Flush Valve Body

Recommended Products

Additional Notes

- * Single Flush
- * Mechanical Cartridge Included

Technical Specification



Note: All dimensions are in millimetres and are subject to normal manufacturing variations. Always use the physical product measurements for cut-outs and rough-ins as the technical details shown may differ from the actual product. Use acetic cured silicone sealant. Do not use epoxy type adhesives. Clean with damp cloth. Do not use abrasive cleaners, liquids or pastes.