



# Vita Pure Kitchen Mixer

Brushed Nickel

**Product Image** **Product Details**



**Code:** 3789080B  
**Brand:** Villeroy & Boch  
**Range:** Vita Pure  
**Warranty:** 15 Years\*  
**WELS:** 5 Star 5 LPM, Reg #: T43584

**Additional Features** **Technical Specification**

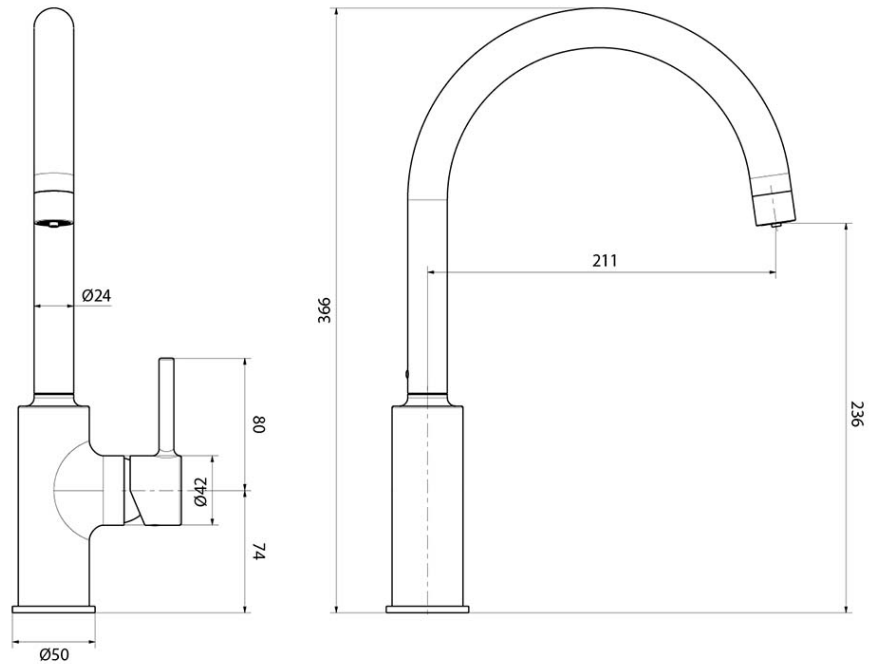
**Required Product**

**Recommended Products**

**Additional Notes**

- Lead Free
- Under Sink Water Filter Kit Included
- Easy Install Filter Kit
- minimalist design
- Quick Change Filter Cartridge Code FF-6001
- 1 Micron Fine Filtration Delivering Clean and Pure Water

\*Please visit [argentaust.com.au/warranty](http://argentaust.com.au/warranty) to view the full warranty



*Note: All dimensions are in millimetres and are subject to normal manufacturing variations. It is recommended to use the physical product measurements for cut-outs and rough-ins as the technical details shown may differ from the actual product. Use acetic cured silicone sealant. Do not use epoxy type adhesives. Clean with damp cloth. Do not use abrasive cleaners, liquids or pastes.*

