
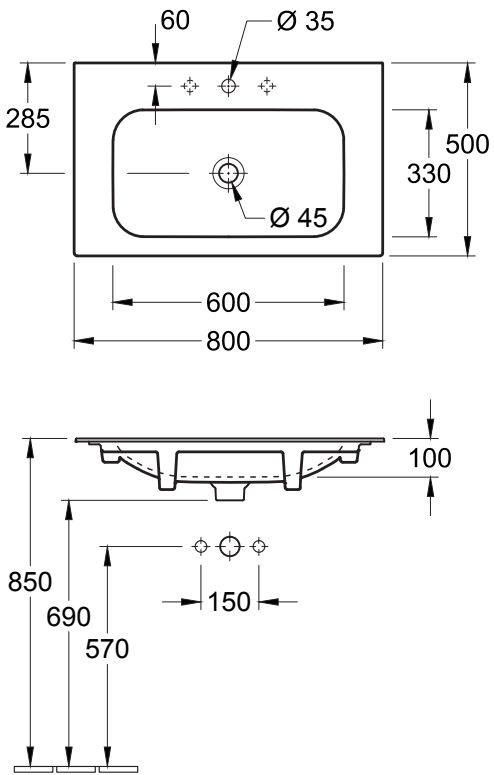




FINION 800 VANITY BASIN

Product Image	Technical Specification
 <div data-bbox="111 1176 247 1310"> <p>Titan Ceram Villeroy & Boch</p> </div> <div data-bbox="287 1176 422 1310"> <p>Ceramic Plus Villeroy & Boch</p> </div>	

Description

Finion 800 Vanity Basin

416480R1 1 Tap Hole

Matching furniture available;
Finion 800 Wall Hung 2 Drawer Cabinet **F01000MT**

Additional Information

- 800x500mm
- With Overflow
- Tapware & Waste pictured not included
- Recommended 32mm wastes;
 - K316-D Chrome
 - 94250 White Ceramic
 - 94245 Chrome
- Made from TitanCeram offering;
 - Uniquely precise design
 - Extremely thin walls
 - Clearly defined edges
- Featuring easy clean CeramicPlus finish
- 5 Year Warranty *Conditions Apply

