



# Artis 610 Oval Vessel Basin

No Tap Hole | No Overflow

**Product Image** **Product Details**



**Code:** 41986101  
**Brand:** Villeroy & Boch  
**Range:** Artis  
**Warranty:** 10 Years\*  
**Product Width:** 610 mm  
**Product Depth:** 410 mm  
**WELS:** N/A

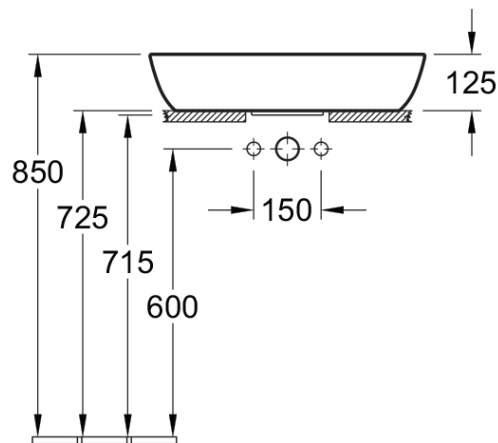
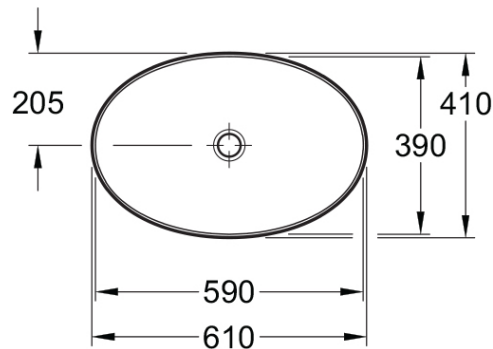
**Additional Features** **Technical Specification**

**Required Product**  
 32mm Waste

**Recommended Products**  
 K316-D PUW Waste Series

**Additional Notes**  
 • Titan Ceram Slim Edge Basin

**Installation Instructions**  
 \* 160mm Benchtop Cutout required



\*Please visit [argentaust.com.au/warranty](http://argentaust.com.au/warranty) to view the full warranty

*Note: All dimensions are in millimetres and are subject to normal manufacturing variations. It is recommended to use the physical product measurements for cut-outs and rough-ins as the technical details shown may differ from the actual product. Use acetic cured silicone sealant. Do not use epoxy type adhesives. Clean with damp cloth. Do not use abrasive cleaners, liquids or pastes.*

