



Artis 610 Oval Vessel Basin

No Tap Hole | No Overflow | Coal Black

Product Image **Product Details**



Code: 419861BCT8
Brand: Villeroy & Boch
Range: Artis
Warranty: 10 Years*
Product Width: 610 mm
Product Depth: 410 mm
WELS: N/A

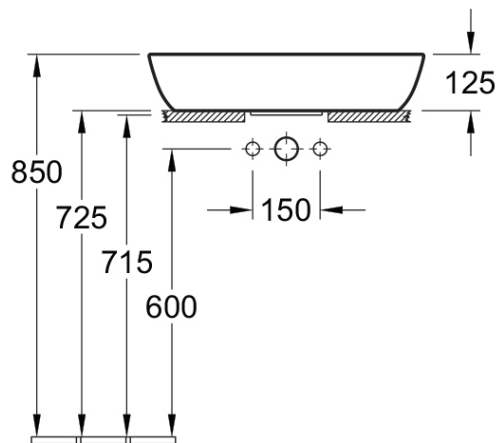
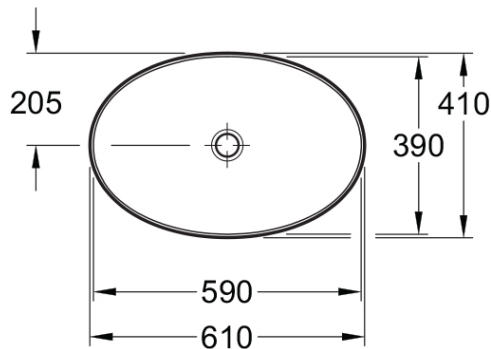
Additional Features **Technical Specification**

Required Product
32mm Waste

Recommended Products
K316-D PUW Waste Series

Additional Notes
• Titan Ceram Slim Edge Basin

Installation Instructions
* 160mm Benchtop Cutout required



*Please visit argentaust.com.au/warranty to view the full warranty

Note: All dimensions are in millimetres and are subject to normal manufacturing variations. It is recommended to use the physical product measurements for cut-outs and rough-ins as the technical details shown may differ from the actual product. Use acetic cured silicone sealant. Do not use epoxy type adhesives. Clean with damp cloth. Do not use abrasive cleaners, liquids or pastes.

