



O.novo 2.0 450 Handwash Basin

1 Taphole, No Overflow

Product Image



Product Details

SKU: 43444701CB
Brand: Villeroy & Boch
Range: O.novo 2.0
Warranty: 10 Years
Product Width: 450 mm
Product Depth: 370 mm
WELS: N/A

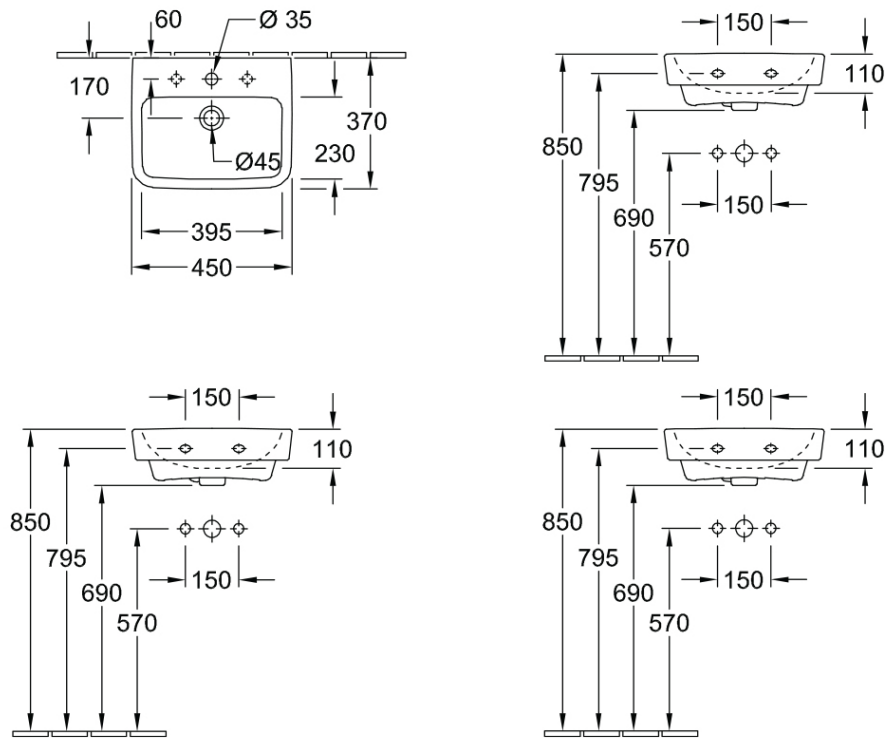
Additional Features

Required Product
 WM approved 32mm BSP waste

Recommended Products
 K328F for Hospital Hygiene compliance, K316-D series for general use

Additional Notes
 * Hospital Hygiene Compliant

Technical Specification



Note: All dimensions are in millimetres and are subject to normal manufacturing variations. Always use the physical product measurements for cut-outs and rough-ins as the technical details shown may differ from the actual product. Use acetic cured silicone sealant. Do not use epoxy type adhesives. Clean with damp cloth. Do not use abrasive cleaners, liquids or pastes.