



Architectura 3.0 Corner Handwash Basin

1 Tap hole, No Overflow, TitanCeram

Product Image **Product Details**



Code: 43714601CB
Brand: Villeroy & Boch
Range: Architectura 3.0
Warranty: 10 Years*
Product Width: 320 mm
Product Depth: 320 mm
WELS: N/A

Additional Features **Technical Specification**

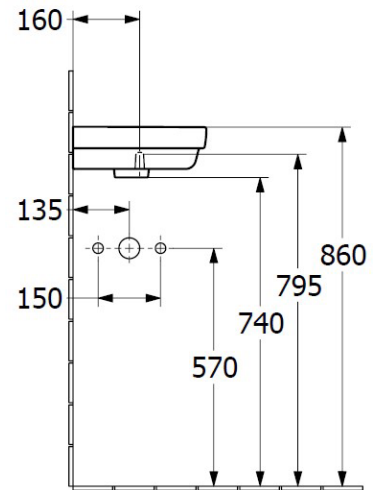
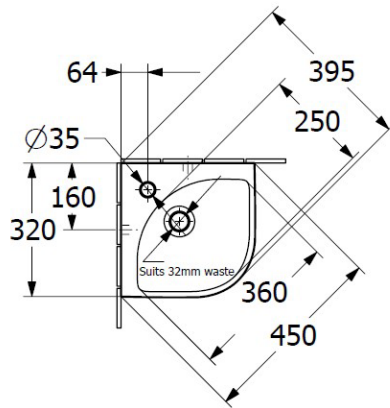
Required Product
32mm Waste

Recommended Products
K316-D Pop Up Waste Series

Additional Notes

- TitanCeram Slim Edge Basin
- No Overflow

Installation Instructions
* Supplied with 9961 Mounting set



*Please visit argentaust.com.au/warranty to view the full warranty

Note: All dimensions are in millimetres and are subject to normal manufacturing variations. Always use the physical product measurements for cut-outs and rough-ins as the technical details shown may differ from the actual product. Use acetic cured silicone sealant. Do not use epoxy type adhesives. Clean with damp cloth. Do not use abrasive cleaners, liquids or pastes.

