



# Advantage Designer 300 Grab Rail

Brushed Gold

## Product Image



## Product Details

<b>Code:</b>	<b>52883085</b>
Brand:	Argent
Range:	Advantage Designer
Warranty:	5 Years*
WELS:	N/A

## Additional Features

## Technical Specification

### Required Product

### Recommended Products

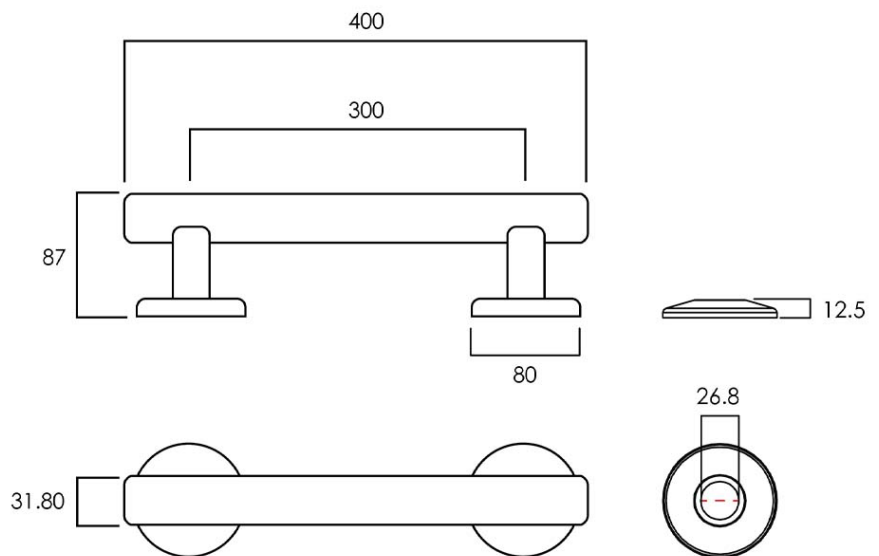
Matching Advantage Designer Shower

### Additional Notes

- Advantage Seal

### Installation Instructions

\* T Style Flange assembly with Easy Install grub screw fitment



\*Please visit [argentaust.com.au/warranty](http://argentaust.com.au/warranty) to view the full warranty

Note: All dimensions are in millimetres and are subject to normal manufacturing variations. Always use the physical product measurements for cut-outs and rough-ins as the technical details shown may differ from the actual product. Use acetic cured silicone sealant. Do not use epoxy type adhesives. Clean with damp cloth. Do not use abrasive cleaners, liquids or pastes.

