



Architectura 2.0 600 Oval Vessel Basin

No Taphole, with Overflow

Product Image



Product Details

Code:	5A266001
Brand:	Villeroy & Boch
Range:	Architectura 2.0
Warranty:	10 Years*
Product Width:	600 mm
Product Depth:	400 mm
WELS:	N/A

Additional Features

Technical Specification

Required Product

32mm PUW with overflow

Recommended Products

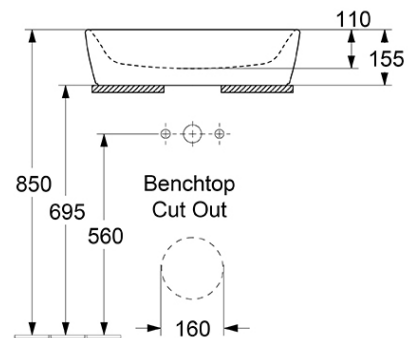
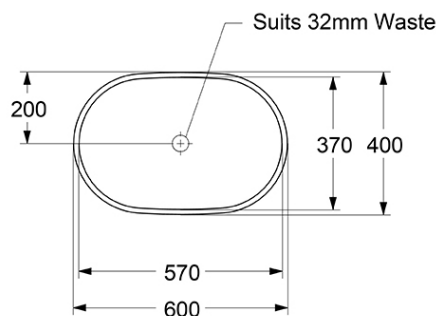
Series K316-D PUW Selection

Additional Notes

- Tapered Basin Design Slender Edge Profile

Installation Instructions

* Bench Cutout template included with basin



*Please visit argentaust.com.au/warranty to view the full warranty

Note: All dimensions are in millimetres and are subject to normal manufacturing variations. Always use the physical product measurements for cut-outs and rough-ins as the technical details shown may differ from the actual product. Use acetic cured silicone sealant. Do not use epoxy type adhesives. Clean with damp cloth. Do not use abrasive cleaners, liquids or pastes.

