



Architectura 2.0 600 Rect Drop In Basin

1 Taphole, with Overflow

Product Image



Product Details

Code: 5A676001
Brand: Villeroy & Boch
Range: Architectura 2.0
Warranty: 10 Years*
Product Width: 600 mm
Product Depth: 450 mm
WELS: N/A

Additional Features

Required Product

32mm PUW with overflow

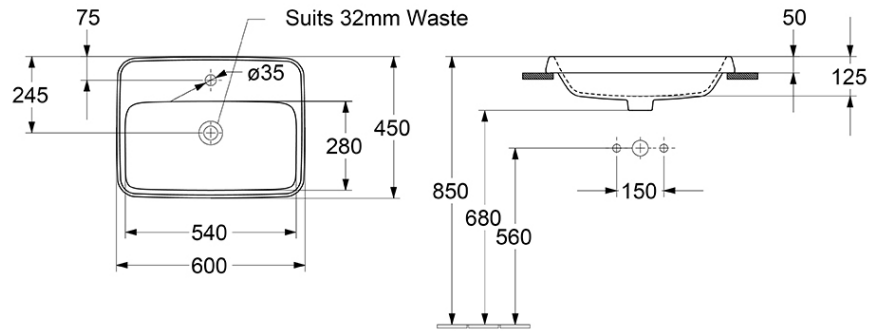
Recommended Products

Series K316-D PUW Selection

Additional Notes

- 3 Taphole Option Available

Technical Specification



*Please visit argentaust.com.au/warranty to view the full warranty

Note: All dimensions are in millimetres and are subject to normal manufacturing variations. Always use the physical product measurements for cut-outs and rough-ins as the technical details shown may differ from the actual product. Use acetic cured silicone sealant. Do not use epoxy type adhesives. Clean with damp cloth. Do not use abrasive cleaners, liquids or pastes.

