



# Architectura 2.0 600 Rectangular Drop In Basin

3 Tap Hole, with Overflow

**Product Image** **Product Details**



**Code:** 5A67600301CB  
**Brand:** Villeroy & Boch  
**Range:** Architectura 2.0  
**Warranty:** 10 Years\*  
**Product Width:** 600 mm  
**Product Depth:** 450 mm  
**WELS:** N/A

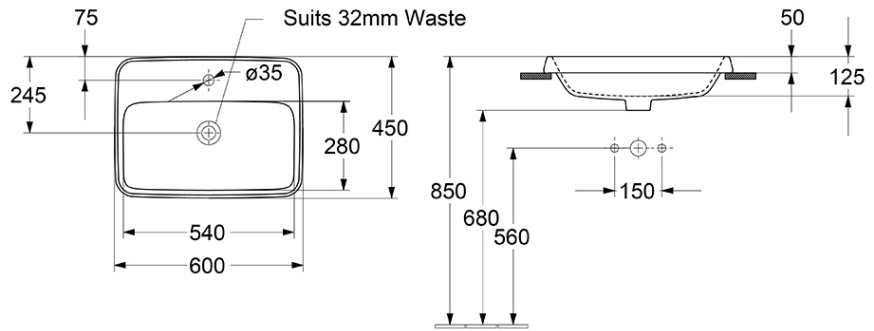
**Additional Features** **Technical Specification**

**Required Product**  
 32mm PUW with overflow

**Recommended Products**  
 Series K316-D PUW Selection

**Additional Notes**

- Available 1 tap Hole as depicted



\*Please visit [argentaust.com.au/warranty](http://argentaust.com.au/warranty) to view the full warranty

*Note: All dimensions are in millimetres and are subject to normal manufacturing variations. Always use the physical product measurements for cut-outs and rough-ins as the technical details shown may differ from the actual product. Use acetic cured silicone sealant. Do not use epoxy type adhesives. Clean with damp cloth. Do not use abrasive cleaners, liquids or pastes.*

