



Architectura 2.0 570 Rect UnderCounter Basin

No Taphole, with Overflow

Product Image



Product Details

Code:	5A776001
Brand:	Villeroy & Boch
Range:	Architectura 2.0
Warranty:	10 Years*
Product Width:	570 mm
Product Depth:	370 mm
WELS:	N/A

NOTE: Change to Basin Dimensions March 2024

Additional Features

Required Product

32mm PUW with overflow

Recommended Products

Series K316-D PUW Selection

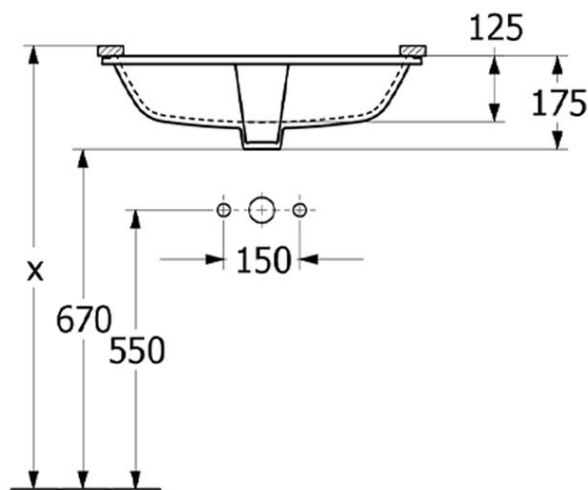
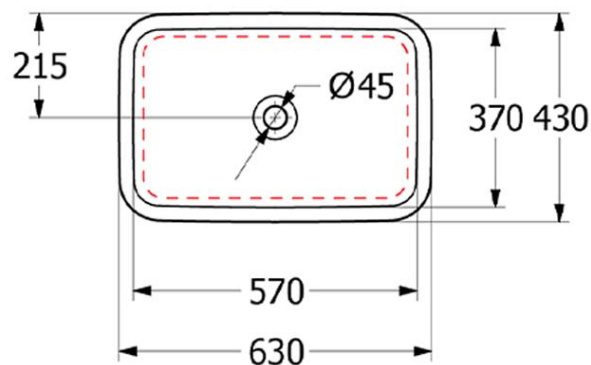
Additional Notes

- Water Capacity to bottom of overflow - 8.9lts
- Position V&B logo visible at the back of the basin & Overflow at the front

Installation Instructions

- * Standard Ceramic dimensional tolerances apply +/- 2%
- * Responsibility is with cabinet designer/manufacturer to ensure adequate tolerances
- * Basin cutout in benchtop should be 8-10mm smaller all round than the actual basin ID

Technical Specification



*Please visit argentaust.com.au/warranty to view the full warranty

Note: All dimensions are in millimetres and are subject to normal manufacturing variations. It is recommended to use the physical product measurements for cut-outs and rough-ins as the technical details shown may differ from the actual product. Use acetic cured silicone sealant. Do not use epoxy type adhesives. Clean with damp cloth. Do not use abrasive cleaners, liquids or pastes.

