



Infinity Rail Set

Product Image



Product Details

Code: 6106961B
Brand: Villeroy & Boch
Range: Infinity
Warranty: 15 Years*
WELS: 3 Star 9 LPM, Reg #: S19017

Additional Features

Technical Specification

Required Product

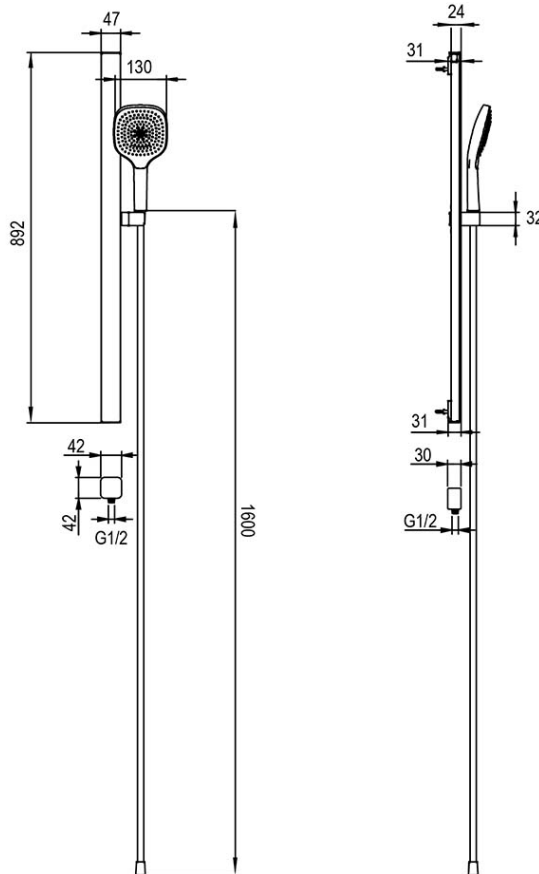
Recommended Products

Additional Notes

- Slim Flat Rail Design
- Glide Slider
- Easy Clean Silicon Nozzles
- One Touch Selector Button
- 1600mm Shower Hose
- Laminar Flow

Installation Instructions

- * Fixed Points - 825mm Rail Fixing
- * Slider torsion can be adjusted by loosening / tightening the two grub screws at the back of the slider



*Please visit argentaust.com.au/warranty to view the full warranty

Note: All dimensions are in millimetres and are subject to normal manufacturing variations. It is recommended to use the physical product measurements for cut-outs and rough-ins as the technical details shown may differ from the actual product. Use acetic cured silicone sealant. Do not use epoxy type adhesives. Clean with damp cloth. Do not use abrasive cleaners, liquids or pastes.

