



Infinity Rail Set

Brushed Nickel

Product Image **Product Details**



Code: 6106980B
Brand: Villeroy & Boch
Range: Infinity
Warranty: 7 Years*
WELS: 3 Star 9 LPM, Reg #: S19017

Additional Features **Technical Specification**

Required Product

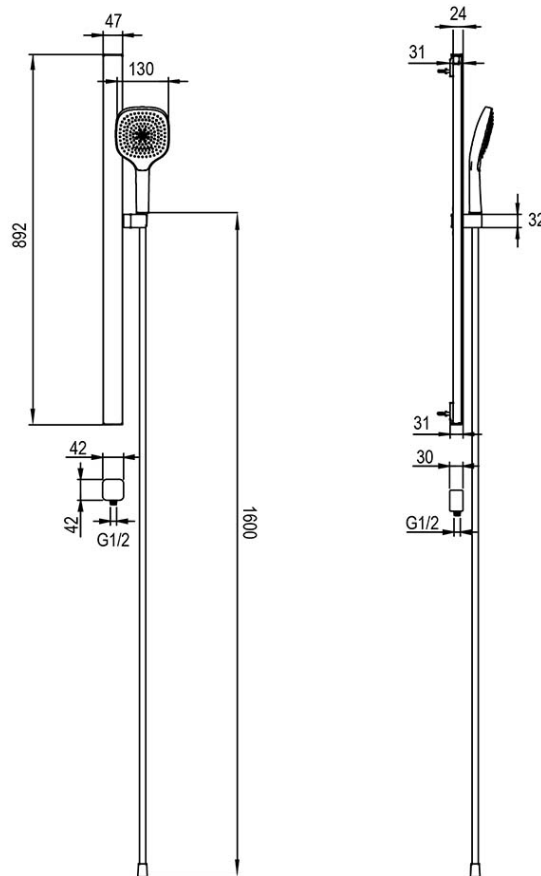
Recommended Products

Additional Notes

- Slim Flat Rail Design
- Glide Slider
- Easy Clean Silicon Nozzles
- One Touch Selector Button
- 1600mm Shower Hose
- Laminar Flow

Installation Instructions

- * Fixed Points - 825mm Rail Fixing
- * Slider torsion can be adjusted by loosening / tightening the two grub screws at the back of the slider



*Please visit argentaust.com.au/warranty to view the full warranty

Note: All dimensions are in millimetres and are subject to normal manufacturing variations. It is recommended to use the physical product measurements for cut-outs and rough-ins as the technical details shown may differ from the actual product. Use acetic cured silicone sealant. Do not use epoxy type adhesives. Clean with damp cloth. Do not use abrasive cleaners, liquids or pastes.

