



Pace 2.0 Shower Mixer Trim

Matte Black

Product Image



Product Details

| | |
|--------------|-----------------|
| Code: | S544295B |
| Brand: | Argent |
| Range: | Pace 2.0 |
| Warranty: | 15 Years* |
| WELS: | N/A |

Additional Features

Technical Specification

Required Product
M186700

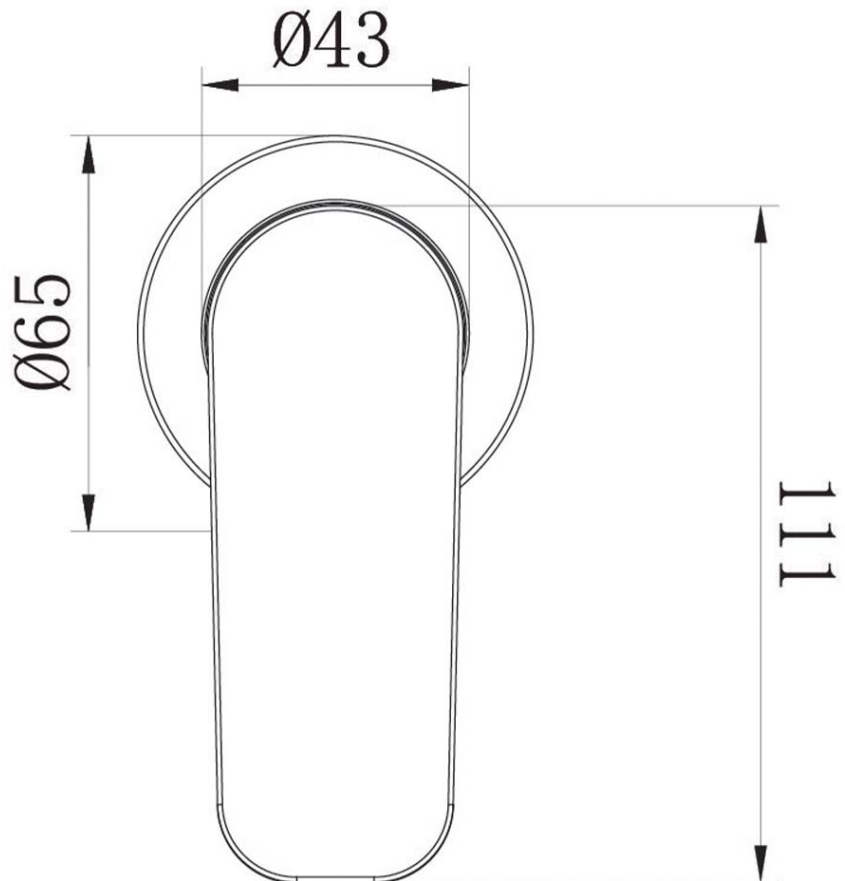
Recommended Products

Additional Notes

- 35mm Ceramic Cartridge
- Compact 65mm Plate

Installation Instructions

* ONLY COMPATIBLE WITH
COLOURFLEX BODY M186700



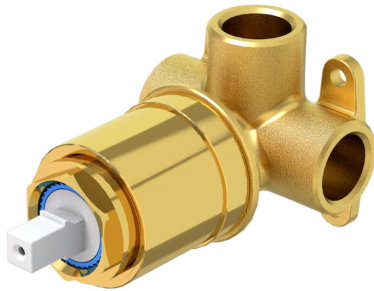
*Please visit argentaust.com.au/warranty to view the full warranty

Note: All dimensions are in millimetres and are subject to normal manufacturing variations. Always use the physical product measurements for cut-outs and rough-ins as the technical details shown may differ from the actual product. Use acetic cured silicone sealant. Do not use epoxy type adhesives. Clean with damp cloth. Do not use abrasive cleaners, liquids or pastes.



ColourFlex Shower Mixer body

Product Image



Product Details

| | |
|--------------|----------------|
| Code: | M186700 |
| Brand: | Argent |
| Range: | ColourFlex |
| Warranty: | 15 Years* |
| WELS: | N/A |

Additional Features

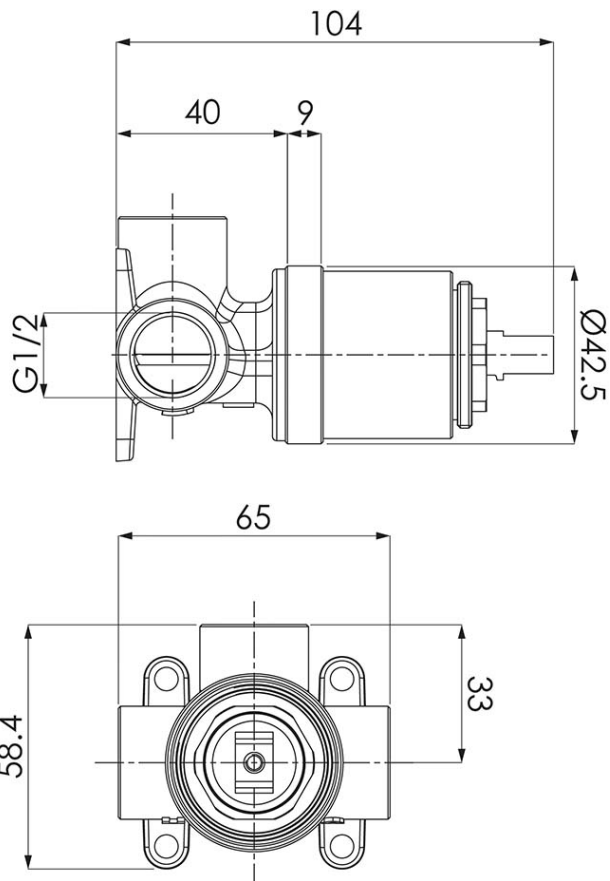
Required Product

Recommended Products

Additional Notes

- Lead Free
- One Body For All Colours & Designs
- 4 Screw Fixing for Accurate Installation
- Compact Body

Technical Specification



*Please visit argentaust.com.au/warranty to view the full warranty

Note: All dimensions are in millimetres and are subject to normal manufacturing variations. Always use the physical product measurements for cut-outs and rough-ins as the technical details shown may differ from the actual product. Use acetic cured silicone sealant. Do not use epoxy type adhesives. Clean with damp cloth. Do not use abrasive cleaners, liquids or pastes.