

# Argent Evoke Wall Faced Smart Toilet



**INSTALLER - READ  
BEFORE INSTALLING**

**Installation Manual:**  
SWF100

 **Argent**  
Villeroy & Boch Group

# Table of Contents

Safety Precautions . . . . .	5
Installation Precautions . . . . .	6
Electrical Requirements. . . . .	7
Set Out Instructions. . . . .	8
Bill of Materials . . . . .	9
Tools Required. . . . .	10
Pan & Seat Installation . . . . .	11
Remote Installation . . . . .	18
Installer Final Check List . . . . .	20
Contact . . . . .	22



The supplier accepts no liability for any loss resulting from failure to comply with the following regulations:


This equipment is a Class I electrical appliance and must be connected to an earthed system.

As an electrical appliance, it must not be installed in areas where it may be exposed to water splashes or high temperatures. Adequate ventilation must be ensured by installing an exhaust fan or ventilation opening in the space.

If the power supply cord is damaged, it must be replaced by the manufacturer, an authorised service agent, or a similarly qualified professional to prevent potential hazards.

## Smart Toilet Seat Model: SWF100

Rated Voltage	220V
Rated Frequency	50Hz
Rated Power	980W
Waterproof	IPX4
Anti-Electric Shock Type	1

Technical Information	
Power Supply	AC220 - 240, 50-60Hz
Power Wattage	980W
IP Rating	IPX4
<b>Note: All electrical work connected to this product must be installed by a qualified person, in accordance to AS/NZS 3000 Wiring Rules.</b>	
Certification	
WaterMark	AS1172.1 Certificate no: WMK25760
WELS	4 star   3 / 4.5L
RCM	

## Safety Precautions

Please read this manual carefully before installing or using the product, and retain it for future reference. Improper use or negligence may result in serious injury.

The Evoke Smart toilet must not be used by individuals (including children) who lack the experience or knowledge to operate it safely, unless they are supervised by a responsible person or have been instructed on its proper use.

Children must not play with the unit.

When using electrical devices, always follow basic safety precautions. Specific guidelines are outlined below.

### Explanation of Symbols

#### DANGER

Indicates a potentially hazardous situation that could result in serious injury or death.

#### NOTICE

Indicates a potentially hazardous situation that could result in injury or damage to property.

#### STRICTLY REQUIRED

Indicates that the specified rules or instructions must be followed.

# Installation Precautions

## **! STRICTLY REQUIRED**

This product should only be installed by a qualified person and with provided components. Check the installation manual for more installation particulars.

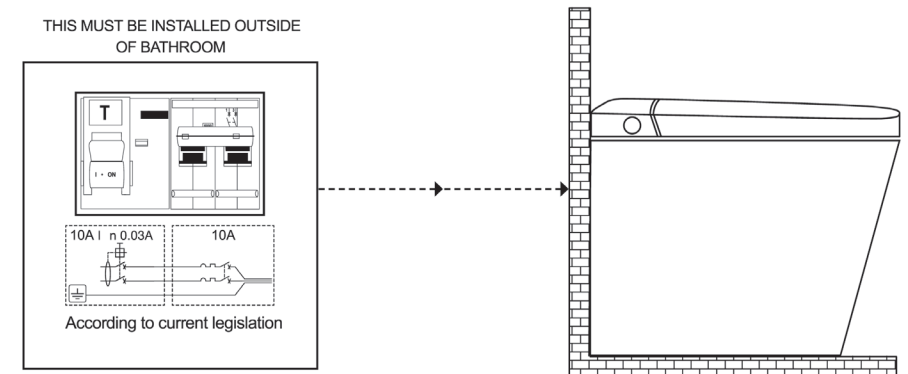
1. Pre-Installation Precautions
2. Please observe the following guidelines before installing the Evoke Smart Toilet:
3. Connect the Evoke Smart Toilet only to the domestic cold water mains supply.
4. Do not use rainwater or greywater. The unit must be supplied with potable (drinking-quality) water only.
5. Flush the water outlet pipe thoroughly before connecting it to any fittings.
6. Ensure the water supply pressure remains within the recommended range of 250 kPa to 500 kPa.
7. Confirm the product is properly earthed.
8. Installation must comply with AS/NZS 3500.
9. Check with your local council to ensure all local plumbing regulations and requirements are met.

**Note:** This product complies with AS/NZS 3500.1:2018. Therefore, a backflow prevention device (e.g. RPZ valve) is not usually required, some local councils will have separate requirements, check prior to installation.

# Electrical Requirements

## **! STRICTLY REQUIRED**

1. The electrical components of the Evoke Smart Toilet must be protected by a 10A RCD and a 10A circuit breaker. Both devices must be installed outside the bathroom.
2. A fixed power connection must be made using a dedicated flexible cable with three conductors (active, neutral and earth) of at least 1mm<sup>2</sup> cross-sectional area. The connection must be housed within a junction box rated IPX4 or higher. Replacement of the power cable, if required, must be carried out by a qualified professional.
3. It is also recommended for a power switch on the new circuit be available in the bathroom for customer convenience.



## **Note:**

Any electrical work conducted on this product must be installed by a qualified person in accordance with AS/NZ 3000 Wiring Rules.

Please consult with a qualified electrician to confirm an appropriate installation location. No additional electrical equipment should be fitted inside the WC.

This product (IPX4) shall not be exposed to water jets for cleaning purposes.

# Set Out Instructions

Before installing the pan make sure water outlet and power has been installed in the correct area.

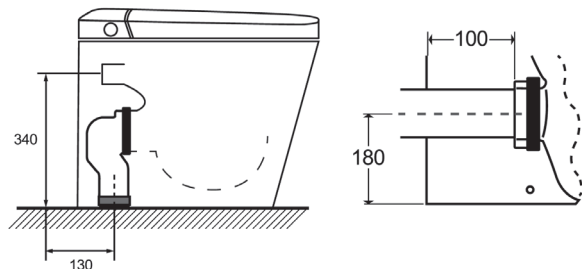
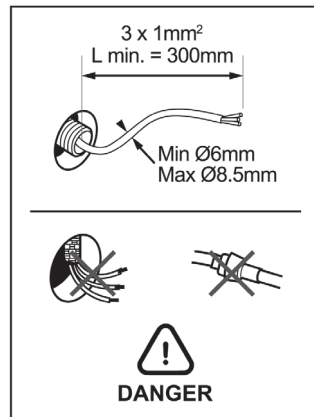
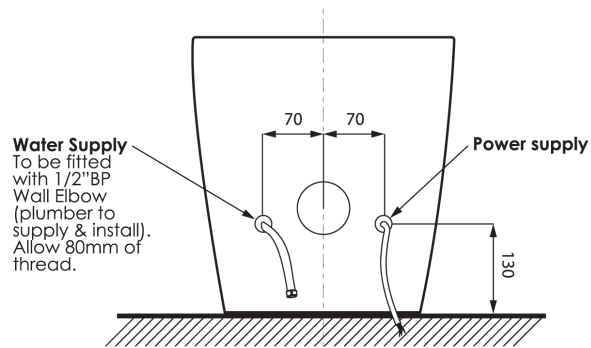
**⚠ DANGER** *These operations should be performed by qualified service personnel.*

## Waste Outlet

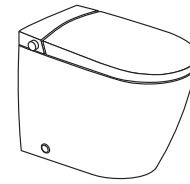
The standard set out for a S-Trap is 130mm.

All distances are from final floor or finished wall.

This pan is designed to be used with Villeroy & Boch ViSmart In Wall cistern or Argent Smart In Wall Cistern.



# Bill of Materials



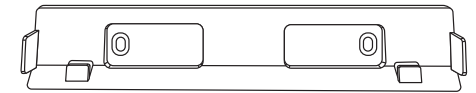
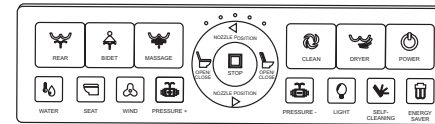
**Pan & Seat**



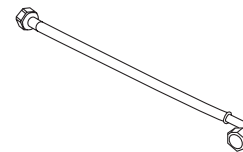
**Installation Manual**



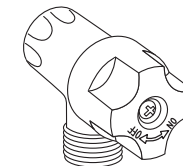
**Operation Manual**



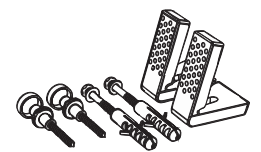
**Remote and Holder**



**Inlet Hose**



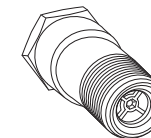
**Ball Valve**



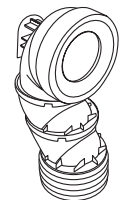
**Floor Fixings**



**Electrical Connector**



**Dual Check Valve**



**S-Trap Pan Connector**

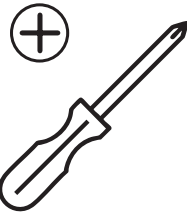
## Tools Required



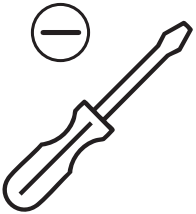
Tape Measure



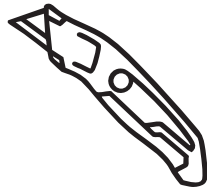
Marker



Philips Head  
Screwdriver



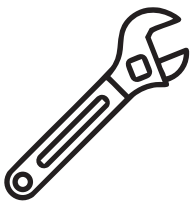
Flat Head  
Screwdriver



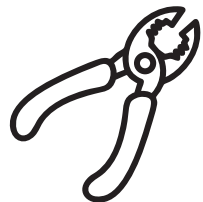
Knife



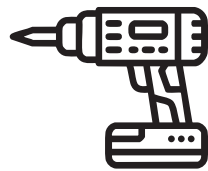
File



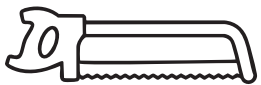
Adjustable Wrench



Wire Strippers



Drill



Hacksaw



Ruler



Sealant

## Seat & Pan Installation

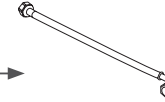
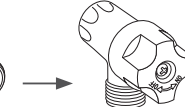
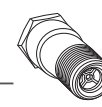


**DANGER**

*These operations should be performed by qualified service personnel.*

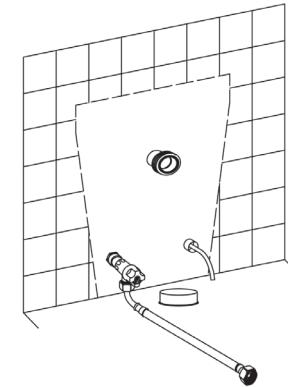
1.

To Water Supply ←

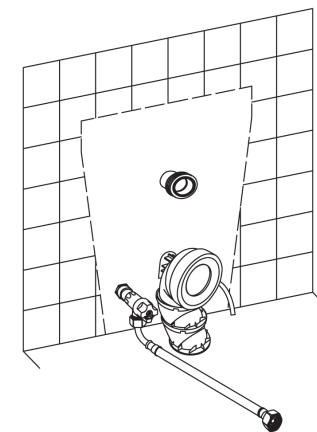


→ To Evoke  
Smart Toilets

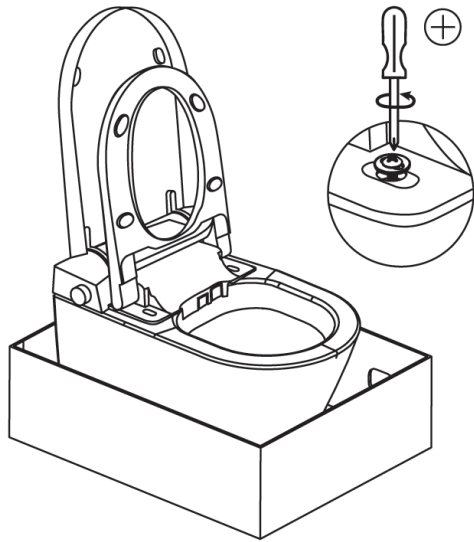
2. Connect water fittings. Ensure the elbow end is connected to valve for best fitment to prevent kinks.



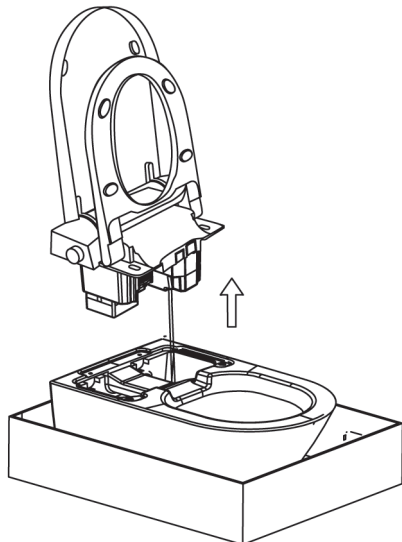
3. Install Vario Bend.



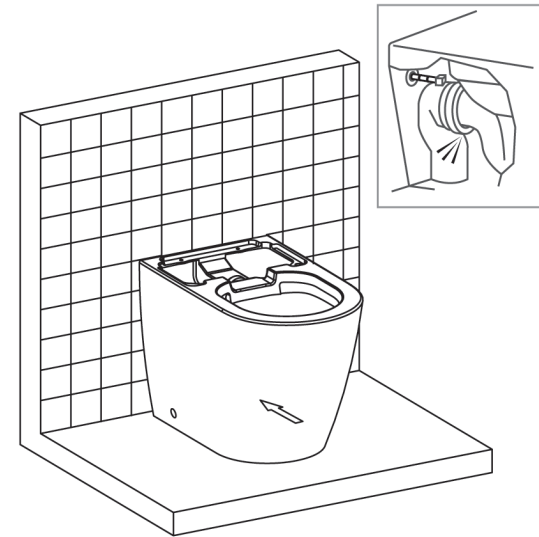
4. Uninstall seat from the pan.



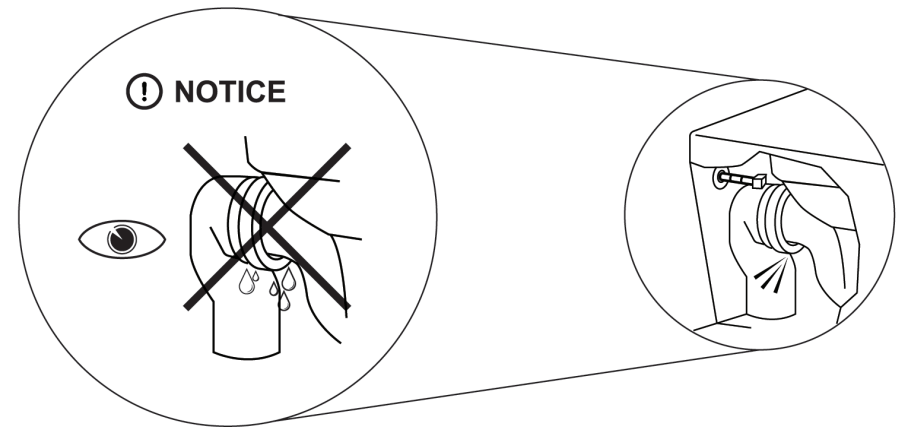
5. Remove seat from on pan.



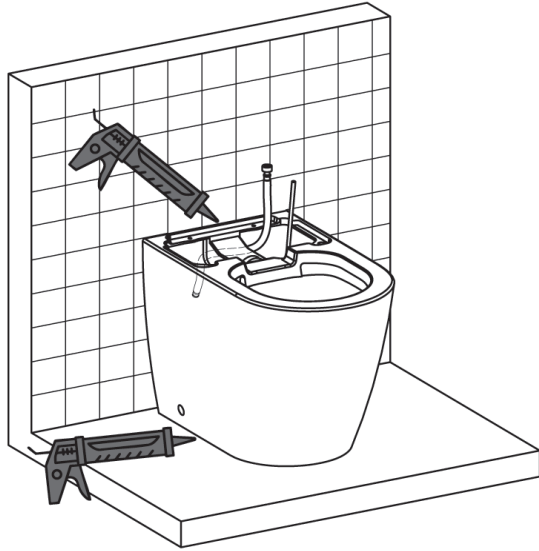
6. Install the pan against the wall ensuring vario is connected.



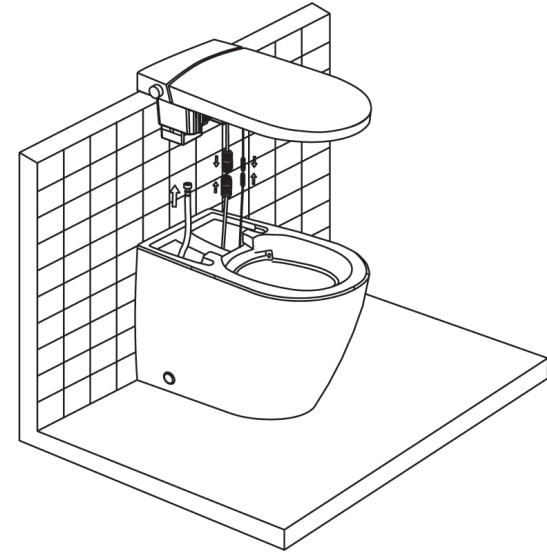
7. Ensure there are no leaks after connected.



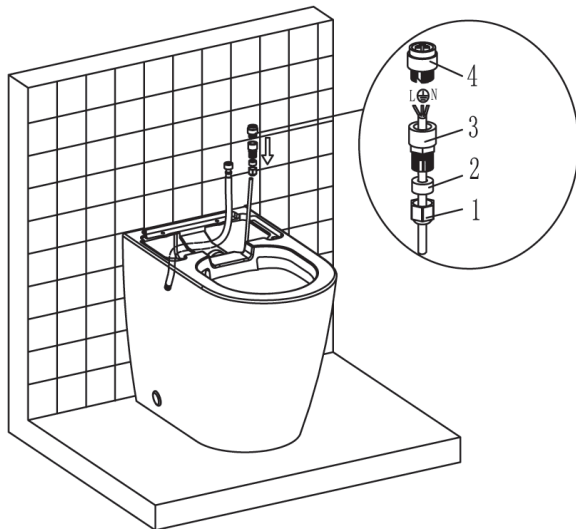
8. Finalise floor fixing kit and silicone.



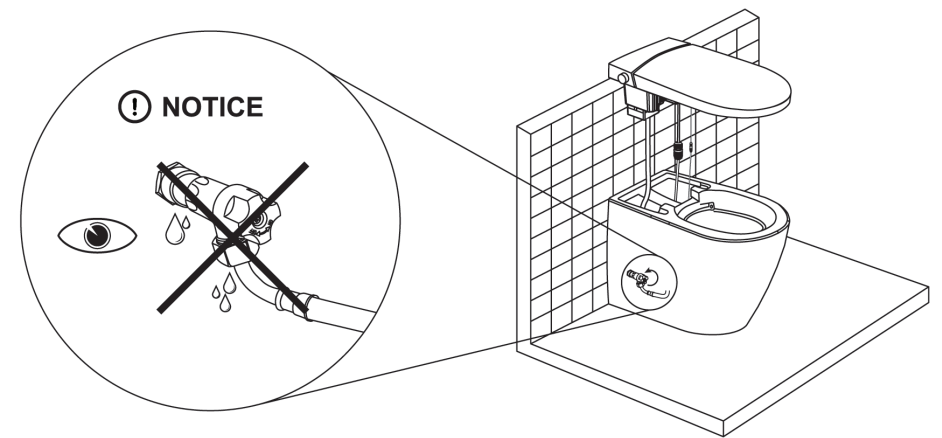
10. Connect water, electrical, and foot sensor to seat.



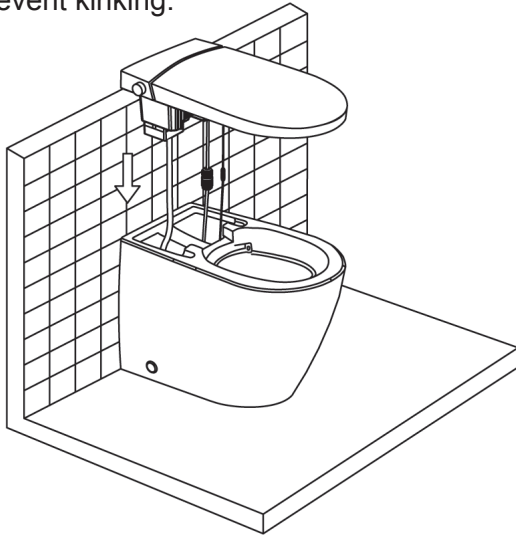
9. Electrical connections should be prepared by certified trades.



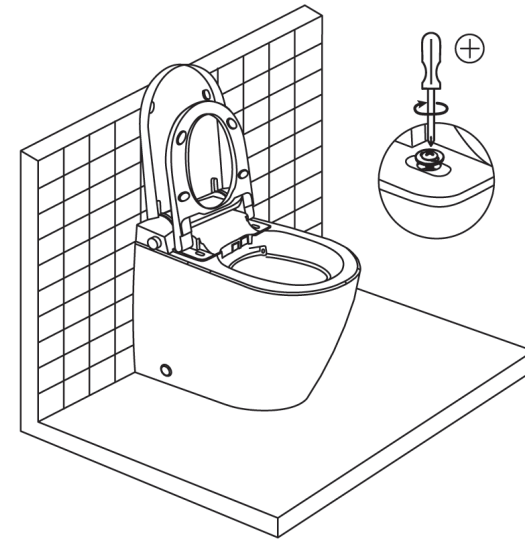
11. Turn valves on to provided water to seat, ensuring all connections are secure and there are no leaks.



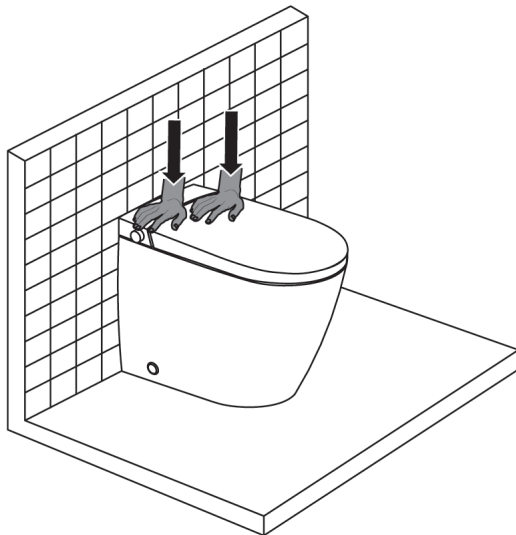
**12.** Carefully install seat, ensuring hose and cables are fed back into the pan to prevent kinking.



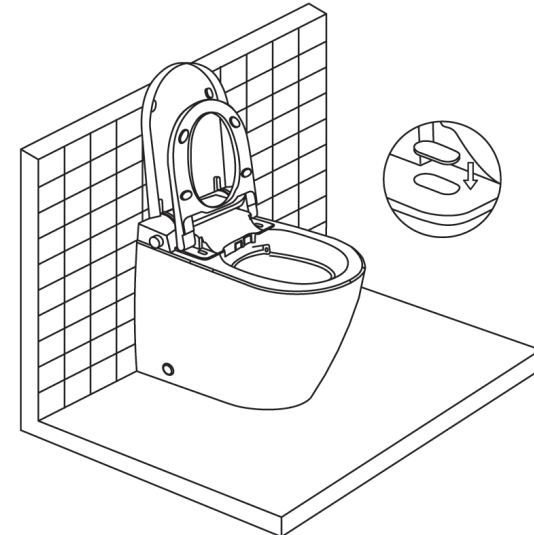
**14.** Reinstall seat to pan with screws.



**13.** Make sure seat is secure and fits snugly.

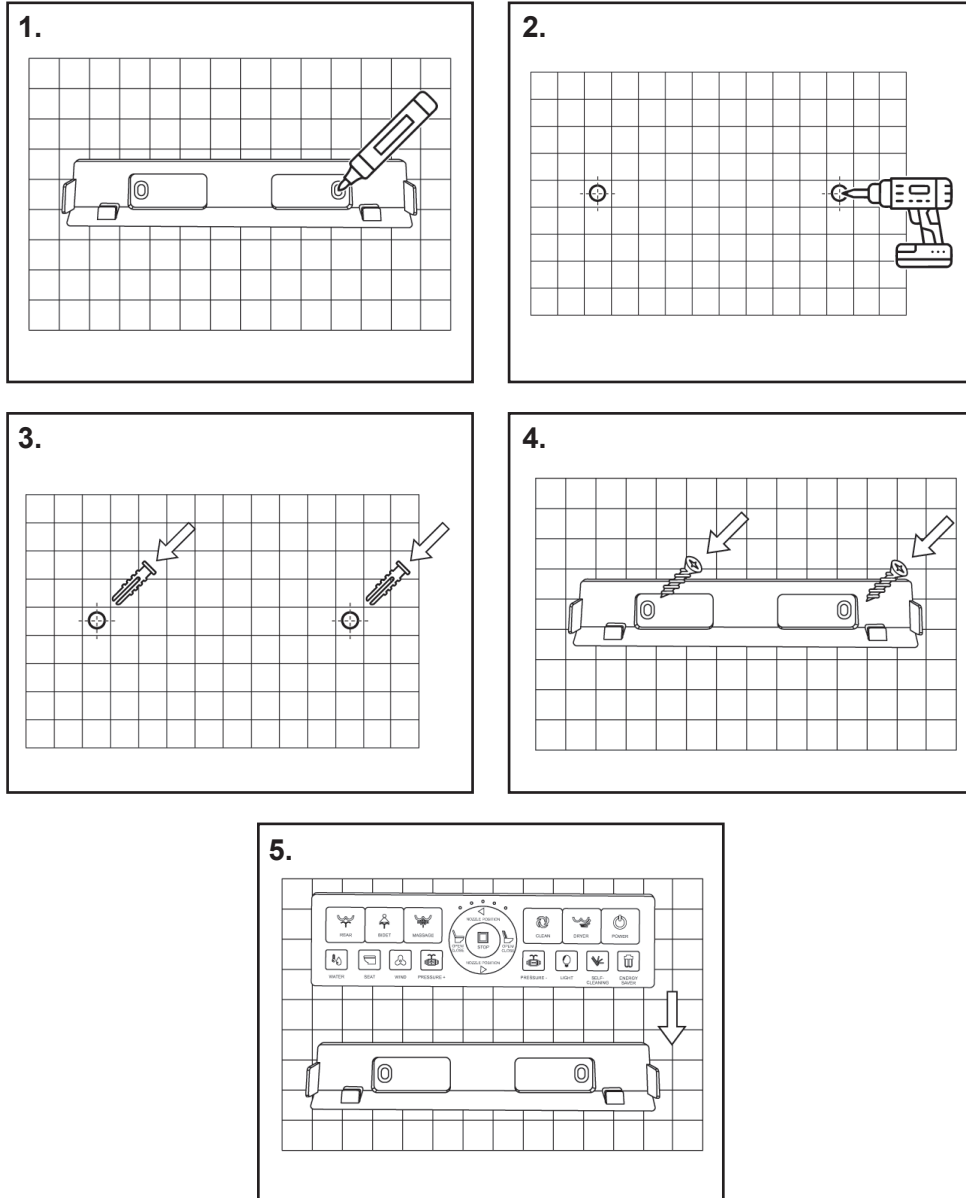


**15.** Cover screws with caps provided.

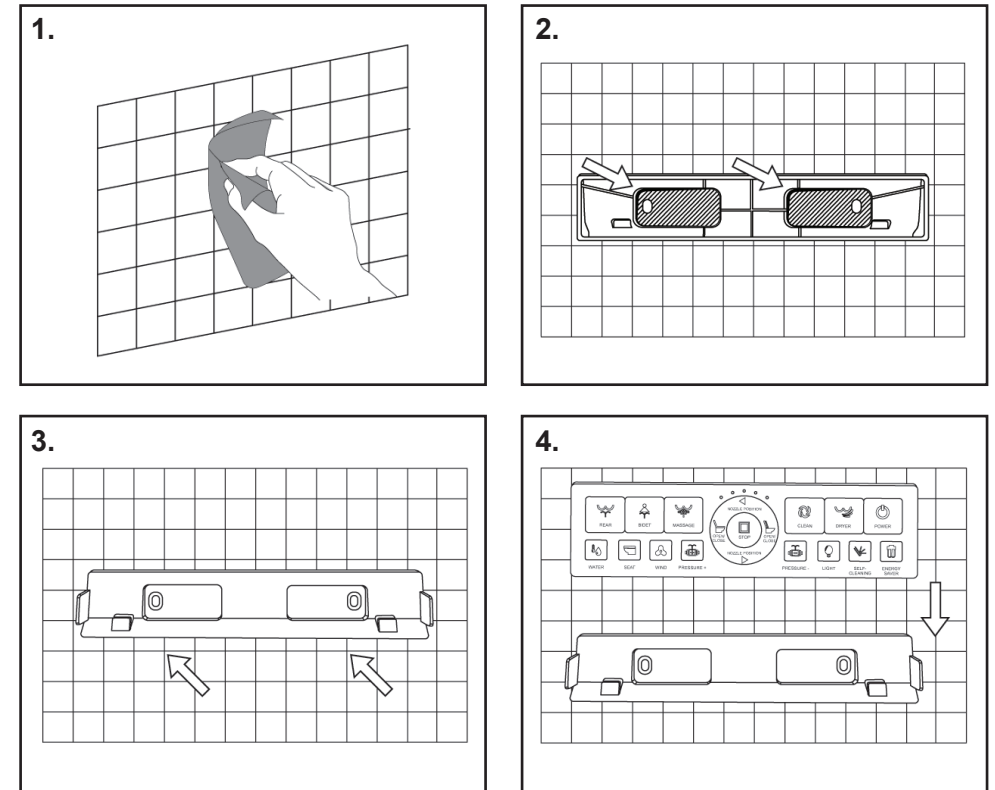


# Remote Installation

## Option 1



## Option 2



# Installer Final Check List

## ⓘ NOTICE *Important steps to check before handover.*

1. Ensure no leaks from Ball valve/hose connections.
2. Ensure no leaks from flushing in wall cistern.
3. Check water supply to smart seat is functional.
  - a. Open seat cover, Using couple layers of cling wrap over the seat, place hand on body sensor location and activate a cleansing function (Rear or Bidet on remote).
  - b. Wand should extend and provide cleansing spray, if water does not come out, recheck installation and ensure all valves are open, and that the hose has not kinked reducing water supply.

**Please leave the instructions and operation manual with the owner.**

Please direct any questions or feedback for this product to Argent Central:  
[support@customer-central.com.au](mailto:support@customer-central.com.au) or call 1300 364 748

The manufacturer reserves the right to make alterations without notice.



**Argent**

Villeroy & Boch Group

Argent Australia  
L1/22 Arthur Street, Fortitude Valley QLD 4006  
1300 364 748  
[www.argentaust.com.au](http://www.argentaust.com.au)