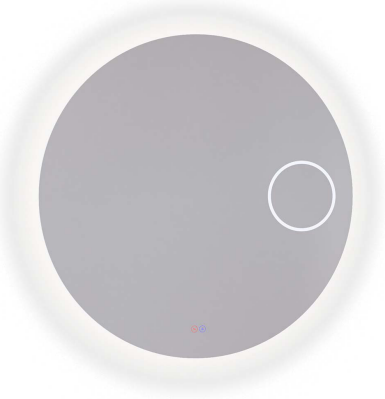




# Grace 900 Smart LED Round Mirror

## Product Image



## Product Details

**Code:** AR50903  
**Brand:** Argent  
**Range:** Smart Mirror  
**Warranty:** 1 Years\*

## Additional Features

## Technical Specification

### Required Product

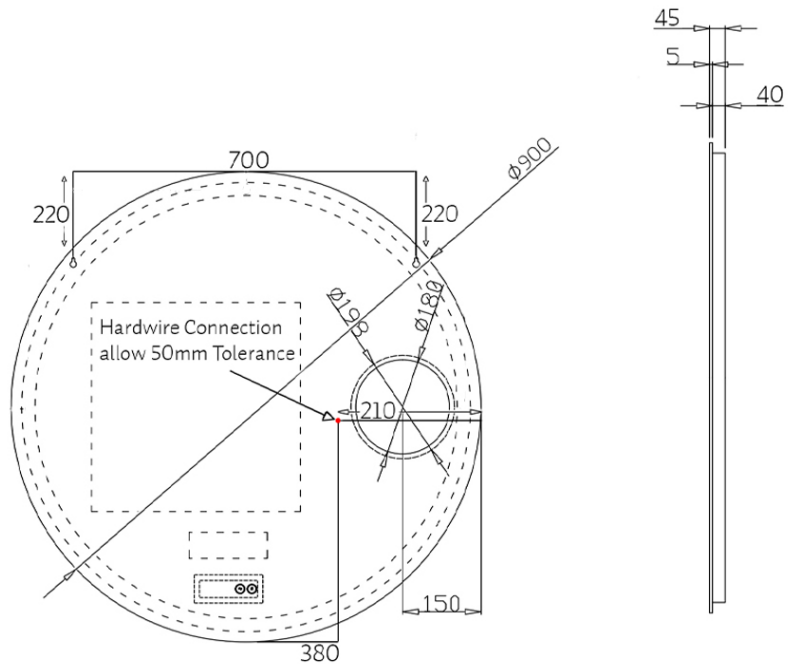
### Recommended Products

### Additional Notes

- Demister
- TriColour LED Lighting
- Dimmer
- 3x Magnifying Mirror
- IP44

### Installation Instructions

- \* Hardwired Connection
- \* Input 110V-240V 50/60HZ
- \* Output 12V DC 60W



\*Please visit [argentaust.com.au/warranty](http://argentaust.com.au/warranty) to view the full warranty

Note: All dimensions are in millimetres and are subject to normal manufacturing variations. Always use the physical product measurements for cut-outs and rough-ins as the technical details shown may differ from the actual product. Use acetic cured silicone sealant. Do not use epoxy type adhesives. Clean with damp cloth. Do not use abrasive cleaners, liquids or pastes.

