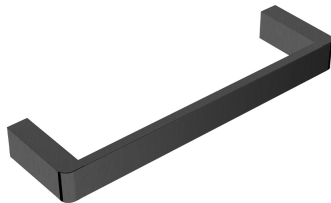




# Mondrian Neu 300 Hand Towel Rail

Gun Metal

Product Image	Product Details
---------------	-----------------



<b>SKU:</b>	<b>AR93612GM</b>
Brand:	Argent
Range:	Mondrian Neu
Warranty:	5 Years

Additional Features	Technical Specification
---------------------	-------------------------

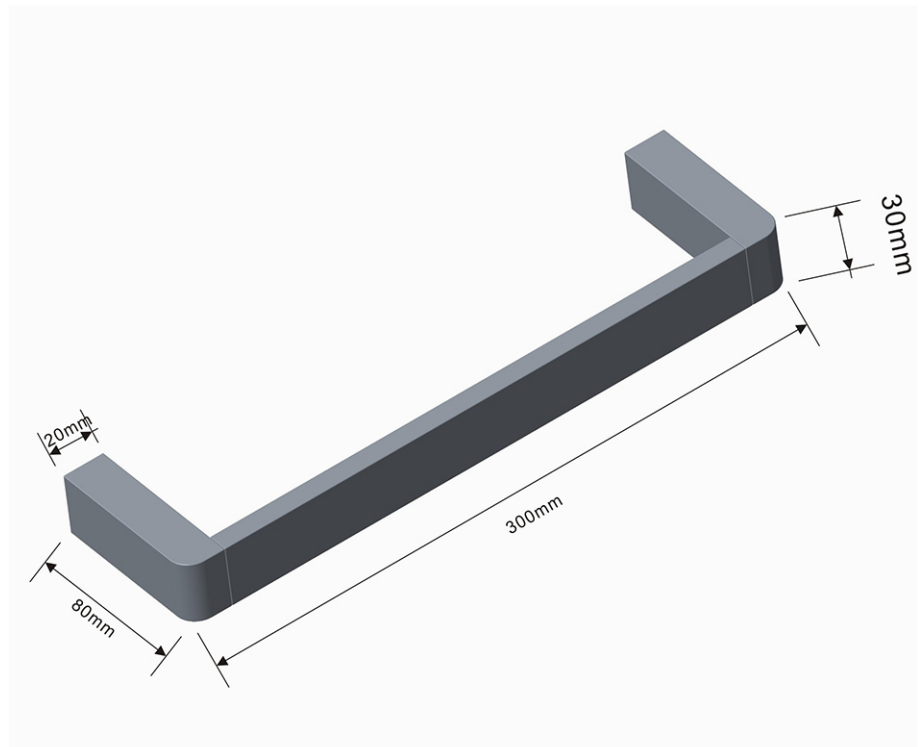
**Required Product**

**Recommended Products**

**Additional Notes**

\* Dual Fixing



*Note: All dimensions are in millimetres and are subject to normal manufacturing variations. Always use the physical product measurements for cut-outs and rough-ins as the technical details shown may differ from the actual product. Use acetic cured silicone sealant. Do not use epoxy type adhesives. Clean with damp cloth. Do not use abrasive cleaners, liquids or pastes.*

