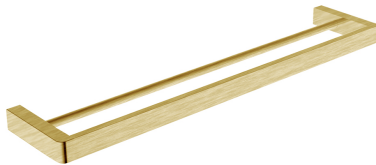




Mondrian Neu 600 Double Towel Rail

Brushed Gold

Product Image



Product Details

SKU:	AR93624DBG
Brand:	Argent
Range:	Mondrian Neu
Warranty:	5 Years

Additional Features

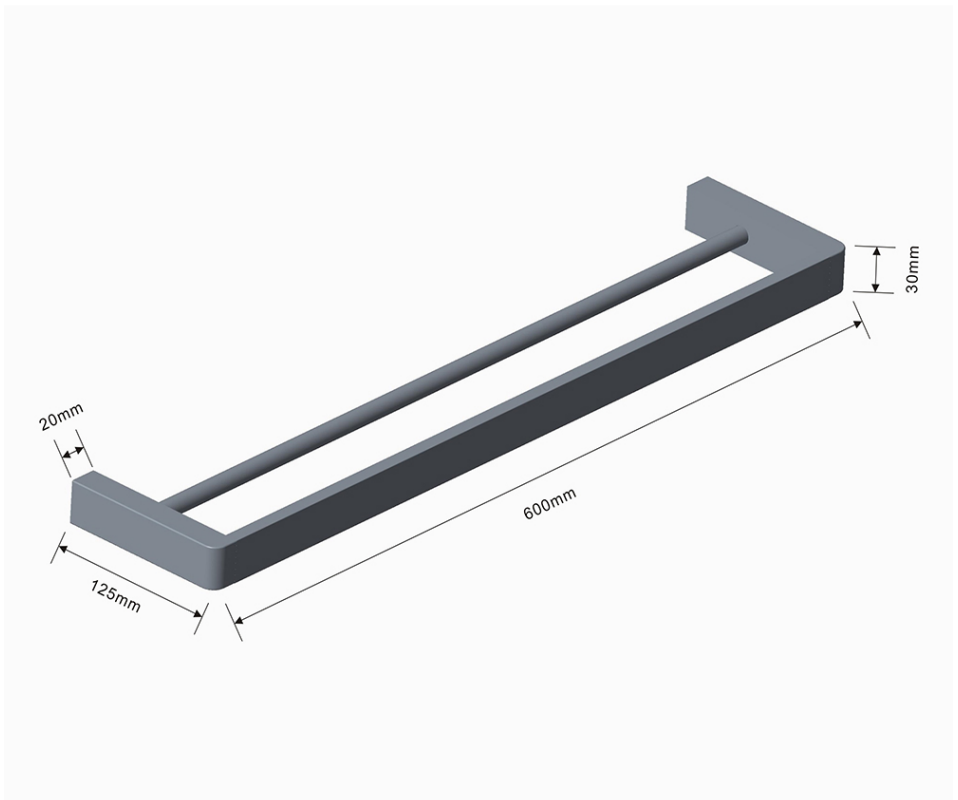
Required Product

Recommended Products

Technical Specification

Additional Notes

* Dual Fixing



Note: All dimensions are in millimetres and are subject to normal manufacturing variations. Always use the physical product measurements for cut-outs and rough-ins as the technical details shown may differ from the actual product. Use acetic cured silicone sealant. Do not use epoxy type adhesives. Clean with damp cloth. Do not use abrasive cleaners, liquids or pastes.

