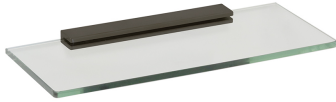




# Mondrian Neu 300 Glass Shelf

Gun Metal

**Product Image**



**Product Details**

**Code:** AR9369390  
**Brand:** Argent  
**Range:** Mondrian Neu  
**Warranty:** 5 Years\*

**Additional Features**

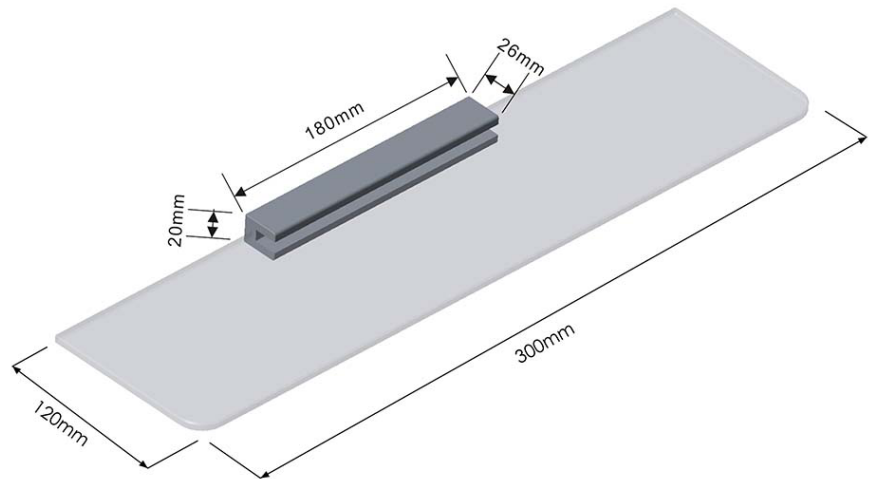
**Technical Specification**

**Required Product**

**Recommended Products**

**Additional Notes**

- 7.4mm Tempered Glass
- Dual Fixing



\*Please visit [argentaust.com.au/warranty](http://argentaust.com.au/warranty) to view the full warranty

*Note: All dimensions are in millimetres and are subject to normal manufacturing variations. Always use the physical product measurements for cut-outs and rough-ins as the technical details shown may differ from the actual product. Use acetic cured silicone sealant. Do not use epoxy type adhesives. Clean with damp cloth. Do not use abrasive cleaners, liquids or pastes.*

