

FS611505 / FS611615 / FS611508 / FS611627 / FS611802

NOTES PRIOR TO INSTALLATION

1. INSPECT THE BATH AND FITTINGS PRIOR TO INSTALLATION FOR SUITABILITY AND/ OR DEFECTS
2. ANY SUSPECTED DEFECT SHOULD BE REPORTED AS SOON AS POSSIBLE
3. SHOULD ANY PRODUCT BE INSTALLED DESPITE A FAULT HAVING BEEN FOUND AND REPORTED WITHOUT AUTHORISATION, ARGENT WILL NOT ACCEPT LIABILITY FOR THE COST OF LABOUR TO REMOVE AND INSTALL ANY REPLACEMENT PRODUCT/S
4. BATHS SHOULD BE INSTALLED TO THE RELAVENT STANDARD AS2023

INSTALLER TO LEAVE THIS INSTALLATION INSTRUCTIONS FOR HOME OWNERS CARE AND MAINTENANCE OF THE PRODUCT

COMPONENT CHECK LIST

1. Bath
- ITEMS NOT SUPPLIED:**
2. Not Supplied - Bath waste – 40mm (smart-pan, plumb-dinger, flexi-dinger or flexible pipe waste connection)
 3. Level
 4. Bathroom Grade Silicone
 5. Spacers/ blocks to hold bath up during waste connection

IMAGE 1

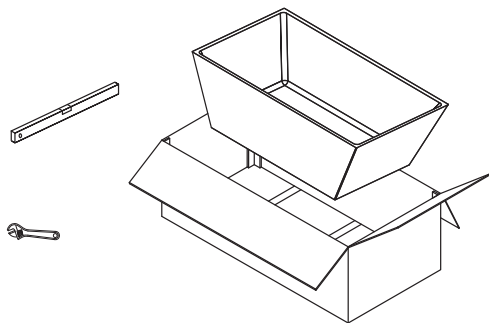


IMAGE 2

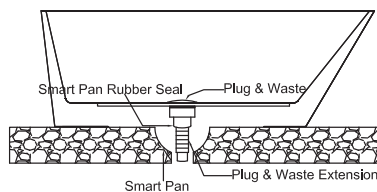


IMAGE 3

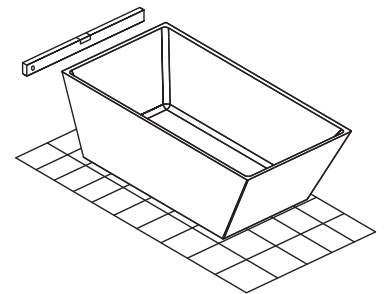


IMAGE 4

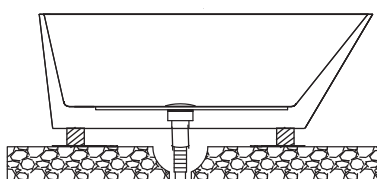
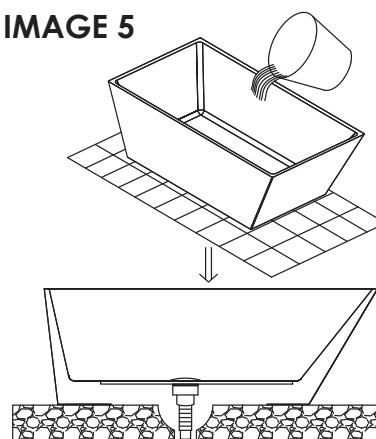


IMAGE 5



FS611505 / FS611615 / FS611508 / FS611627 / FS611802**INSTALLATION**

Installation is recommended to be done via qualified trade person

1. Baths should be installed on a level tiled floor (& against a perpendicular tiled wall for BTW Baths). Full waterproofing of tiled areas should meet standard AS3740
2. Remove bath from packaging, avoid any rough surfaces. Use Cardboard or carpet during installation process to protect the surface finish **(REFER IMAGE 1)**
3. Place bath in position over waste for installation. If using a Plumb dinger, locate it now onto the DWV pipe. **(REFER IMAGE 2)**
4. **IMPORTANT – BATH WILL NOT DRAIN CORRECTLY IF IT IS NOT LEVEL** (Refer Image 3)
5. Depending on the waste connection selected, either use installation spacers to lift the bath above its desired position **(REFER IMAGE 4)** and fit the flexible waste connection or install appropriate waste fitting to waste outlet, ensuring waste does not put upward pressure onto base of bath. Upward pressure from the waste may prevent bath from draining correctly and could damage the area around the waste. **(REFER IMAGE 2)**
6. Remove installation spacers and lower the bath to the ground level.
7. Remove the protective film from the bath.
8. Fill bath to check water flows correctly to bath waste. A small amount of water (less than 2 teaspoons) may pool due to surface tension. **(REFER IMAGE 5)**
9. Apply bathroom grade silicone around bath outline (including wall for BTW baths). Allow a 20mm gap in the silicone on the floor in a discrete location for AS3740
10. Allow a minimum 24 hours for the silicone to set.

CARE & MAINTENANCE

*Important Note: Freestanding Bath rims are not designed to take substantial weight. Avoid sitting or standing on the rims.

1. To maintain the baths shine, after each use of the bath, wipe down the surfaces with a soft cloth and warm soapy water to avoid a water line mark.
2. As a regular clean we recommend only warm soapy water with a soft cloth. Do not use any powders, pastes, cream cleaners, thinners, window cleaning sprays, bleach, etc
3. Stubborn marks, fine scratches may be polished out with Brasso. Polishing should be done in a circular pattern.
4. If using coloured essential oils, ensure testing to ensure the colour or oil will not stain the bath. Oils should always be added to the water, never directly to the bath surface.

Please direct any feedback for this product to
Customer Central:
support@customer-central.com.au
or call 1300 364 748