

ARGENT WALL & Hob Spout Installation Guide

NOTES PRIOR TO INSTALLATION

1. SOME SPOUTS MAY HAVE AN INSTALLATION ADAPTOR, SEE SECTION 2
2. INSPECT ALL PARTS PRIOR TO INSTALLATION FOR SUITABILITY AND/ OR DEFECTS
3. ANY SUSPECTED DEFECT SHOULD BE REPORTED AS SOON AS POSSIBLE
4. SHOULD ANY PRODUCT BE INSTALLED, DESPITE A FAULT HAVING BEEN FOUND AND REPORTED, ARGENT WILL NOT ACCEPT LIABILITY FOR THE COST OF LABOUR TO REMOVE AND INSTALL ANY REPLACEMENT PRODUCT/S



NOTES FOR INSTALLATION

1. Please ensure pipework is clear of debris by flushing lines prior to installation of the mixer body.



PRESSURE AND TEMPERATURE REQUIREMENTS

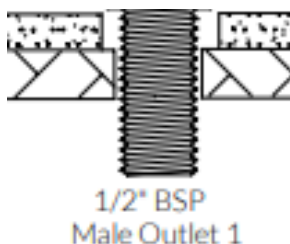
1. Inlet pressure range 100 – 500kpa
2. Maximum hot water temperature 60 C
3. AS/NZS 3500 requires 500 kPa maximum operating pressure at any outlet within a building
4. Hot & Cold inlets should have equalised water pressures.

Please direct any feedback for this product to Customer Central:
support@customer-central.com.au or call
1300 364 748

SPOUTS (WITHOUT ADAPTOR)

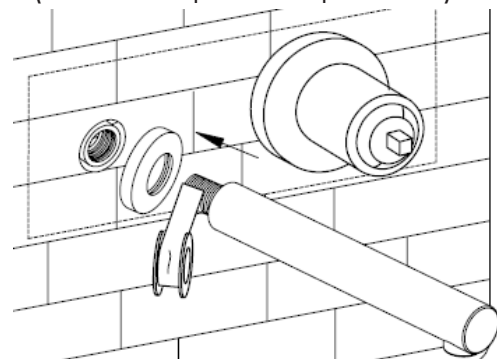
STEP 1

- Cut outlet nipple to 15±2mm from finished wall surface (will include faceplate on selected models). Silicone can be used to seal plate to the finished wall surface if desired



STEP 2

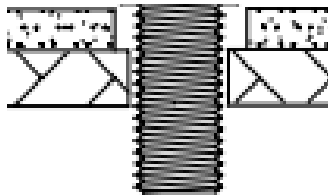
- Screw spout onto outlet nipple using plumber's tape to ensure a watertight seal. (with faceplate in position)



SPOUTS WITH ADAPTOR - WALL & HOB - SECTION 2

STEP 1

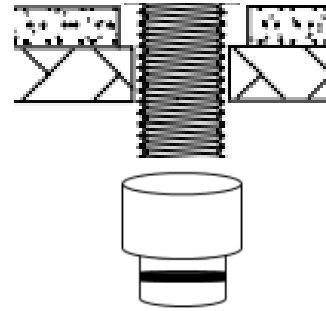
- Cut outlet nipple to 15 ± 2 mm from finished wall/ hob surface (may include faceplate on selected models). Silicone can be used to seal plate to the finished wall surface if desired



1/2" BSP
Male Outlet 1

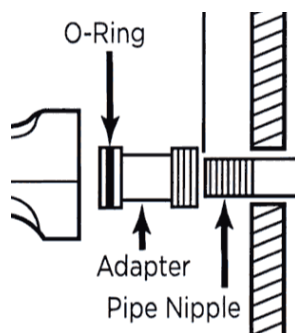
STEP 2

- Screw spout adaptor onto outlet nipple using plumber's tape to ensure a watertight seal. (with faceplate in position if included)



STEP 3

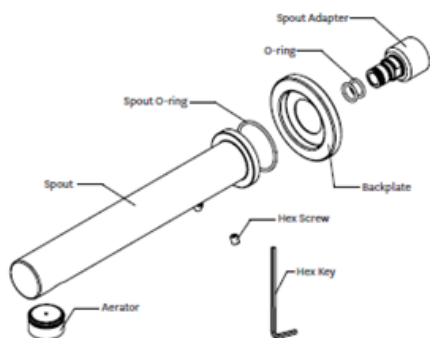
- Ensure spout O-rings are in place, lubricate with suitable silicon-based lubricant and push spout onto adaptor. Tighten hex screw/s to secure spout in place.



CLEANING AND MAINTENANCE

- THE SPECIAL CHROME FINISH ONLY REQUIRES CLEANING WITH MILD HOUSEHOLD DETERGENTS AND DRY WITH A CLEAN COTTON CLOTH TO RETAIN ITS LUSTROUS SHINE.
- AVOID CLEANING WITH ABRASIVE MATERIALS OR CLEANERS.
- COLOURED SURFACES SHOULD ONLY BE CLEANED WITH A SOFT CLOTH AND MILD DETERGENT.

WALL SPOUT WITH ADAPTOR



HOB SPOUT WITH ADAPTOR

