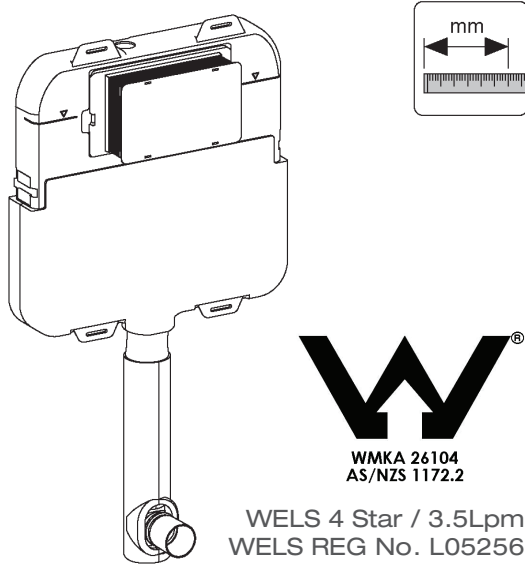


ARGENT 80 IN WALL CISTERN - PNEUMATIC

INP38105

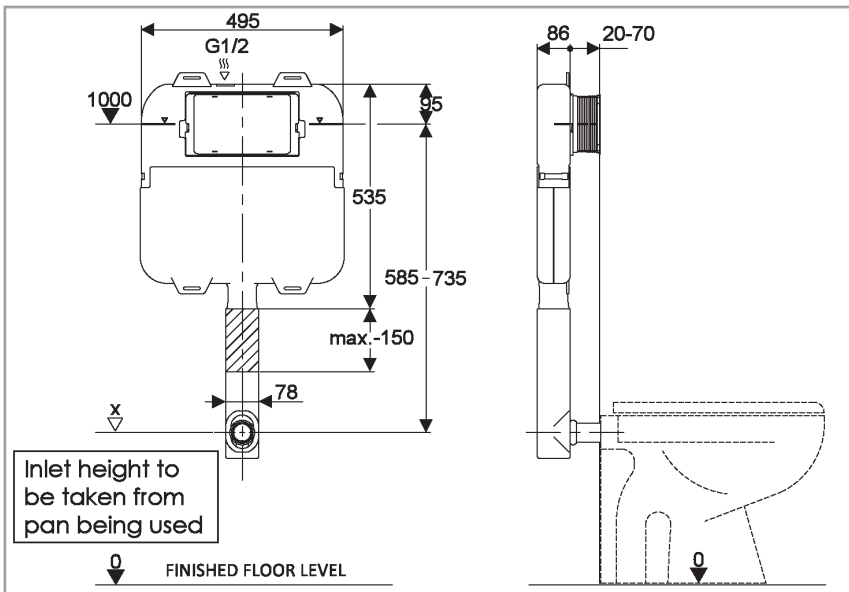


IMPORTANT INSTALLATION NOTE:

Inlet valve water pressure and pipe sizing must comply with AS3500 & Manufacturers Specification.

Maximum 500kpa static.
Minimum 100kpa dynamic.
Not suitable for low pressure systems.

1. Inspect all parts prior to installation for suitability and/or defect.
2. Any suspected defect should be reported as soon as possible.
3. Should any product be installed despite a fault having been found and reported, liability will not be accepted for the cost of labour to remove and install any replacement products.



RECOMMENDED FLUSH PLATES:

Focus Round



Focus Comfort Round



Kubic



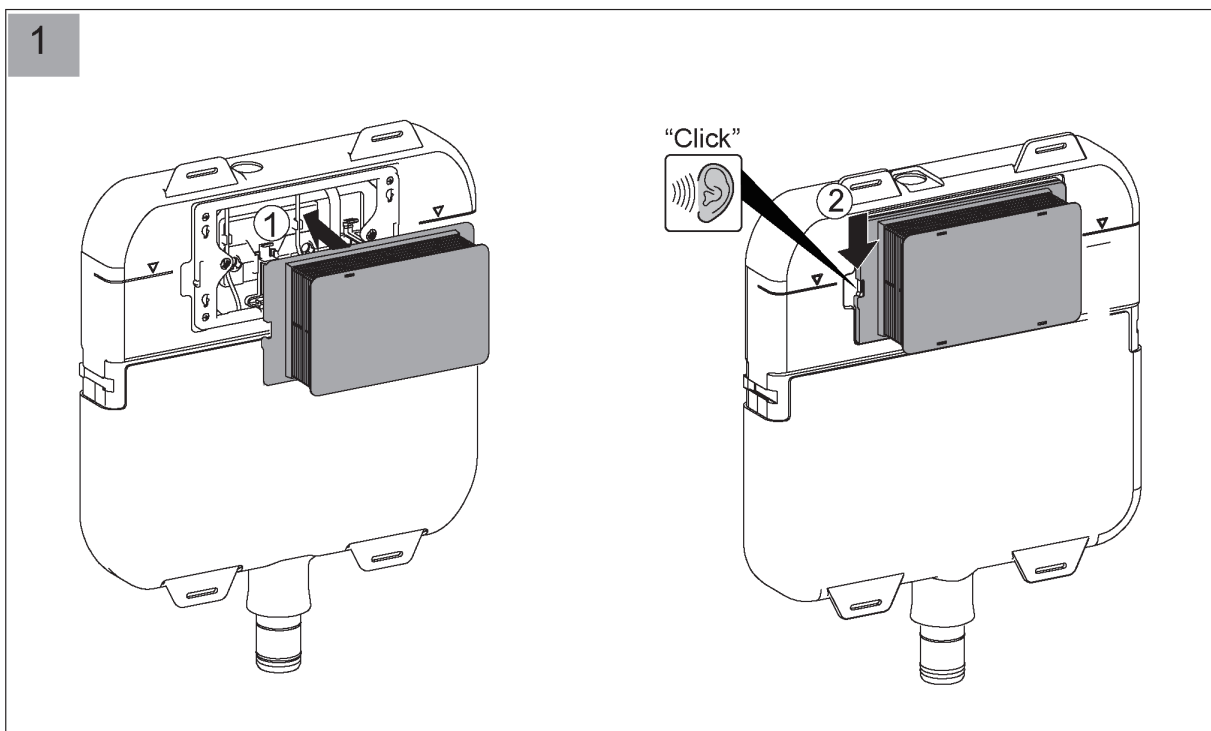
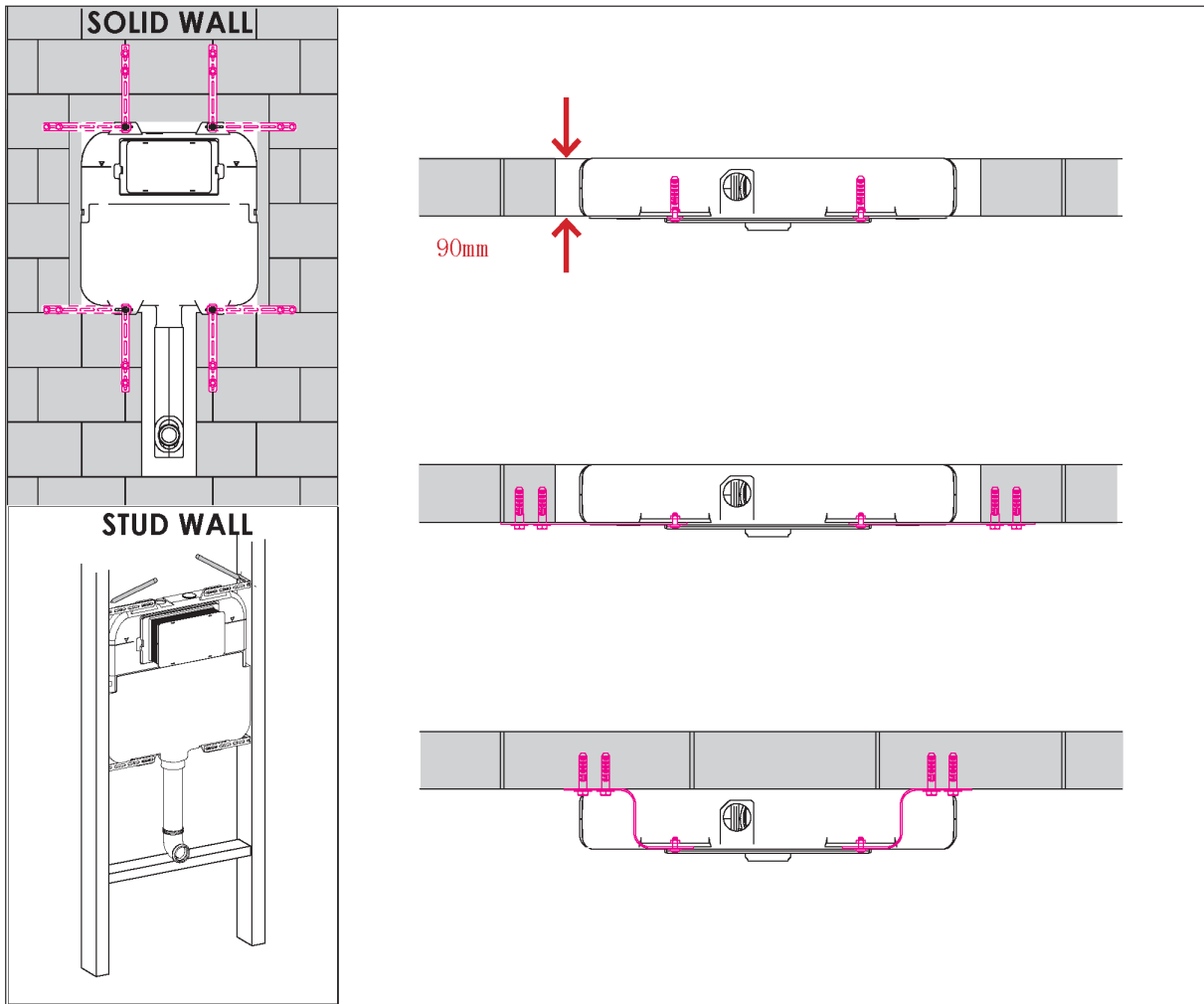
Grace Round

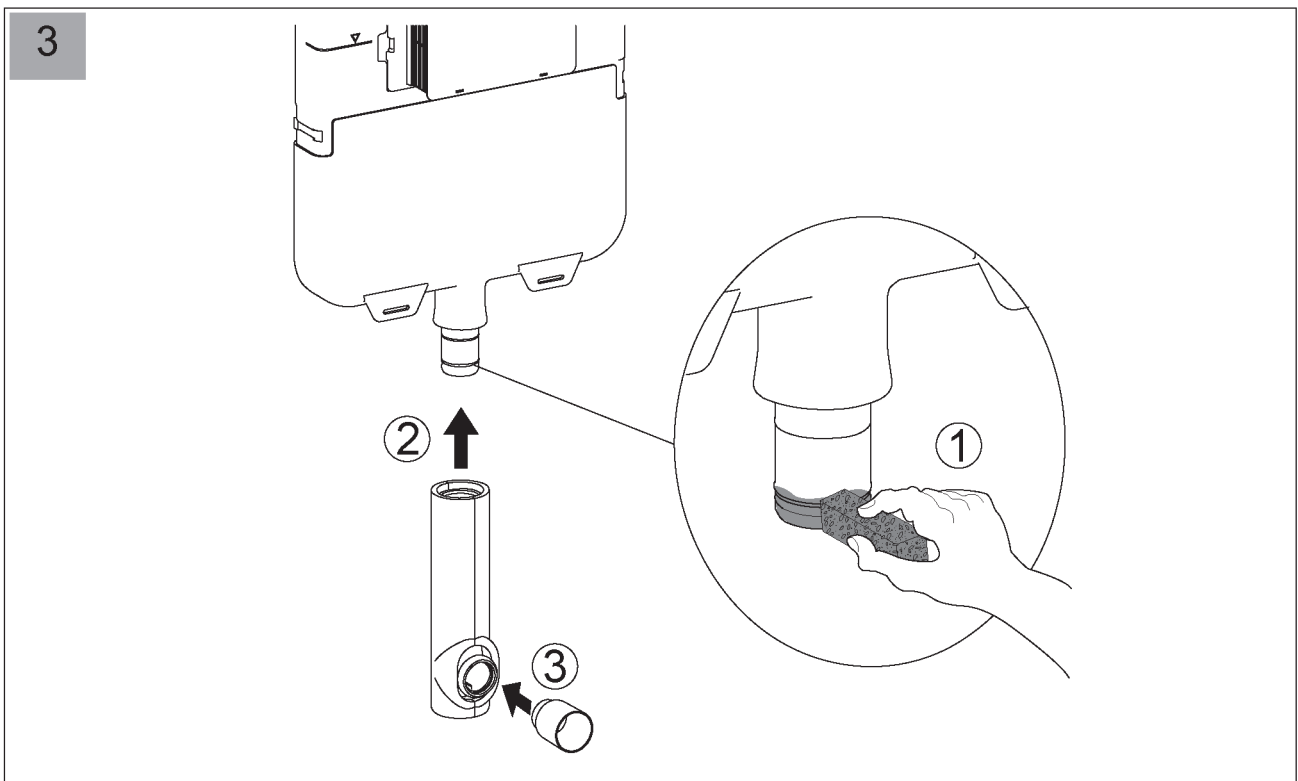
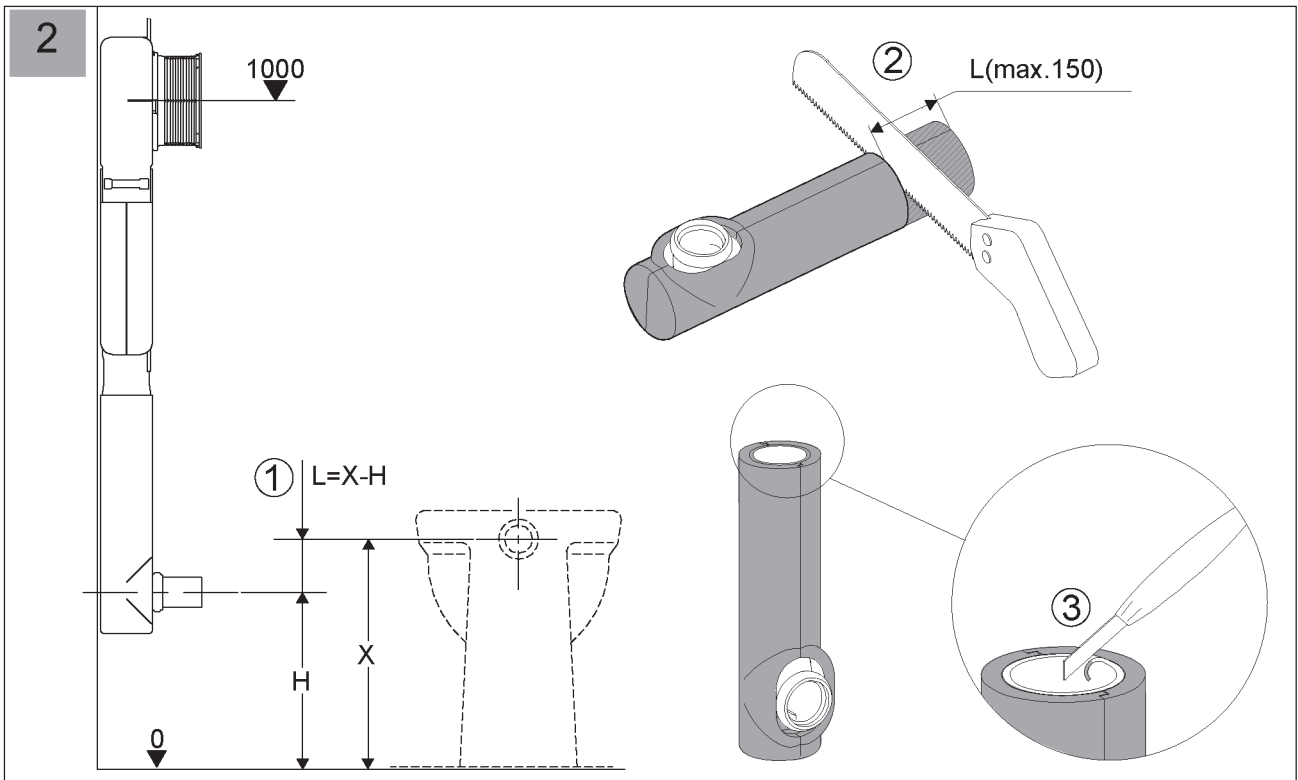


Flush Plate Selection

Disclaimer: Products in this specification manual must by regulation be installed by licensed and registered trade people. The manufacturer/distributor reserves the right to vary specifications or delete models from their range without prior notification. Dimensions are nominal measurements only. Dimensions and set-outs listed are correct at time of publication however the manufacturer/distributor takes no responsibility for printing errors.

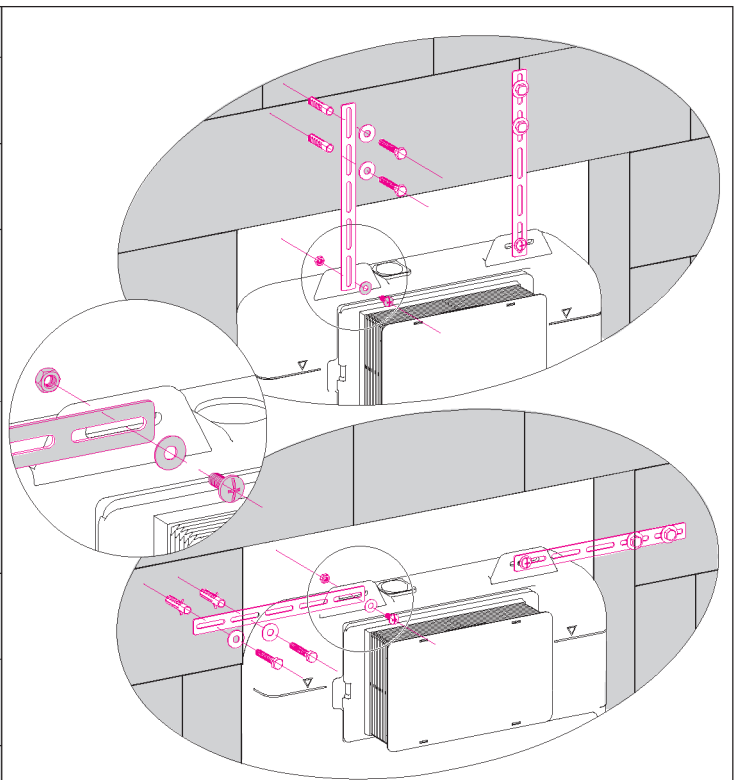
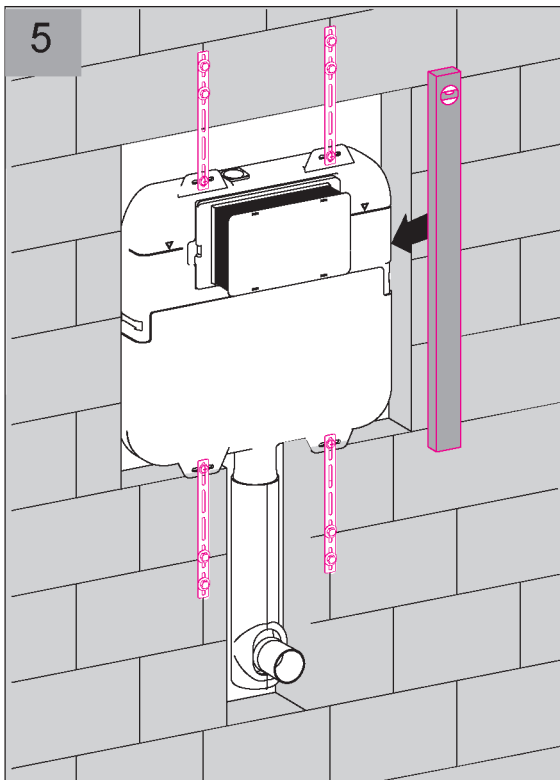
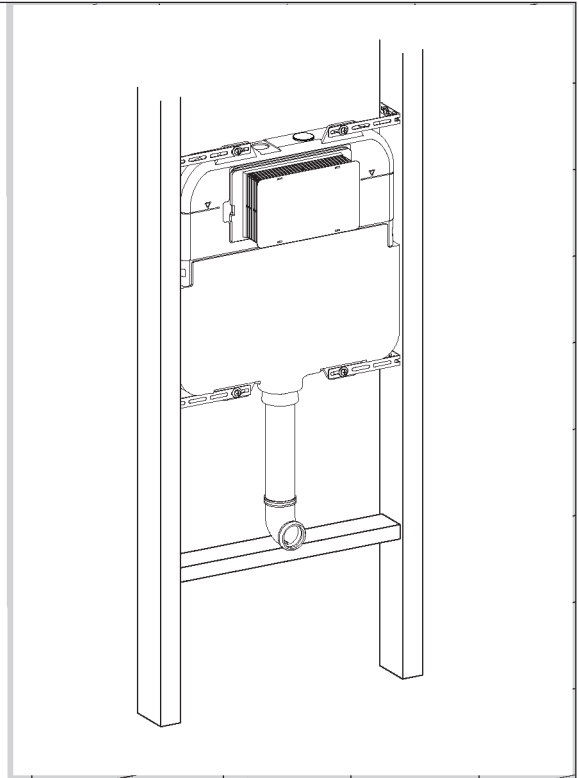
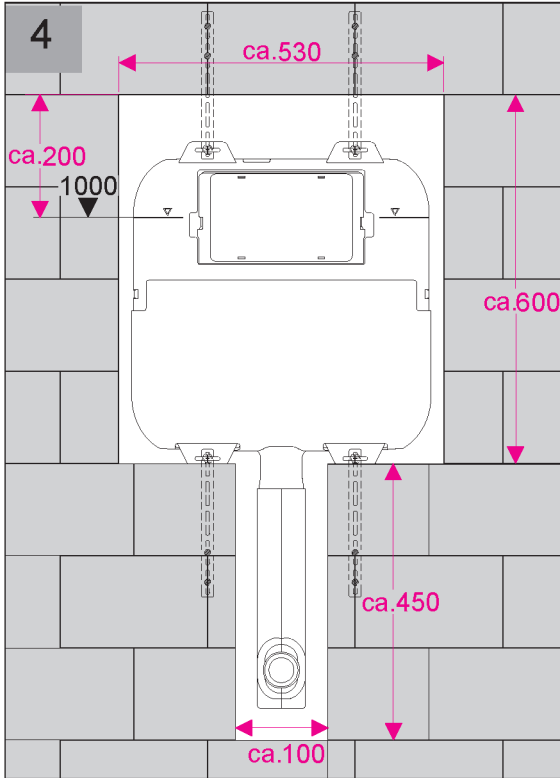
CISTERN INSTALLATION

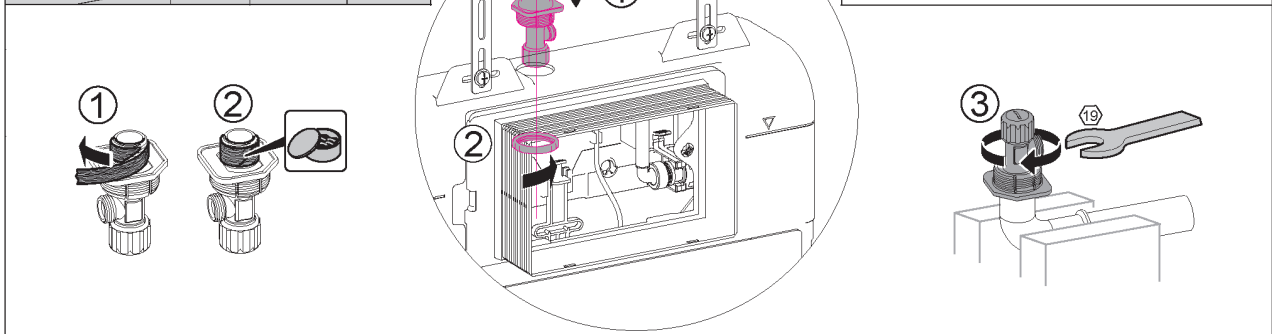
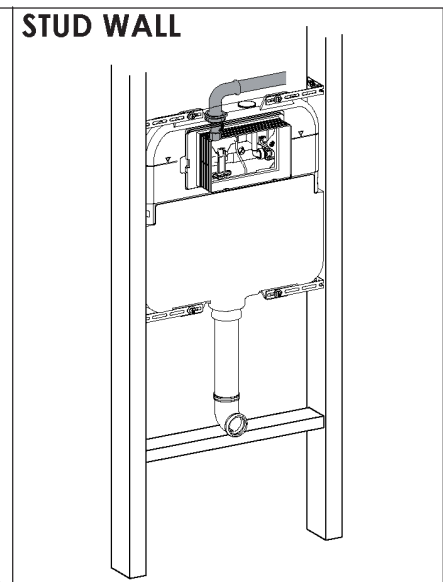
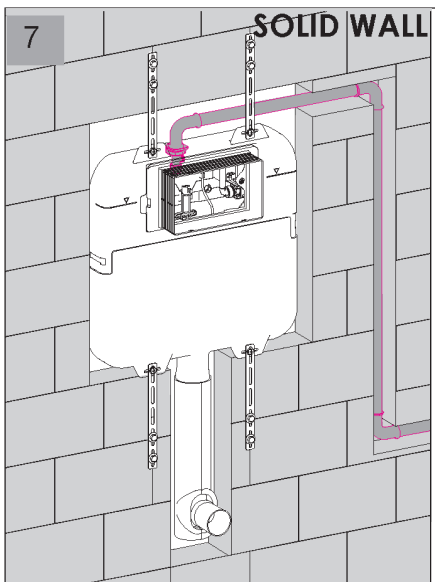
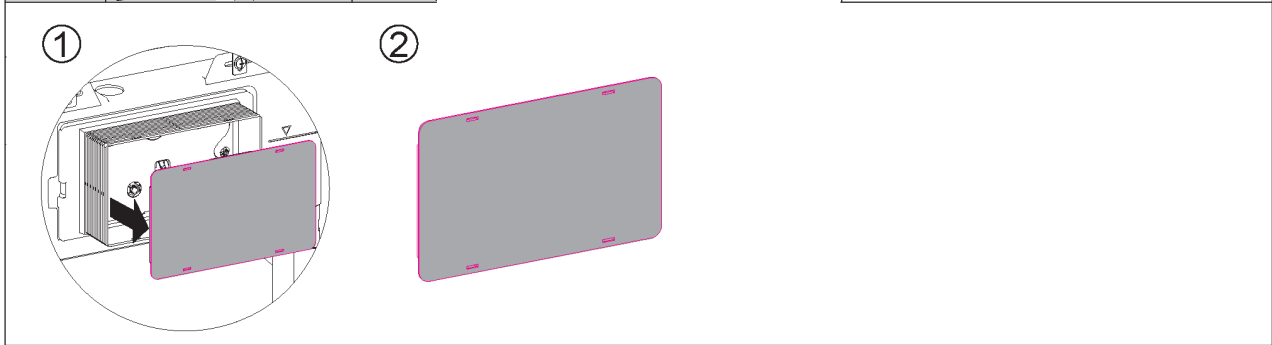
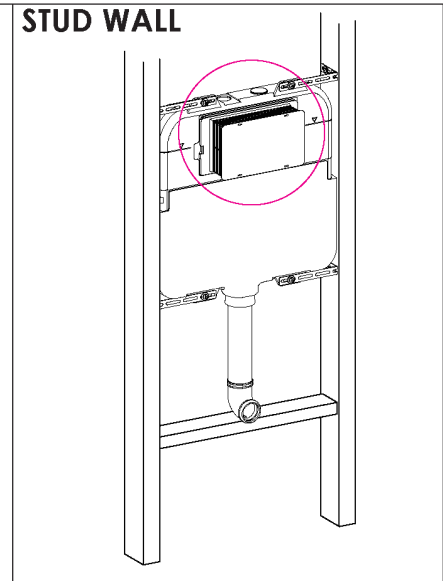
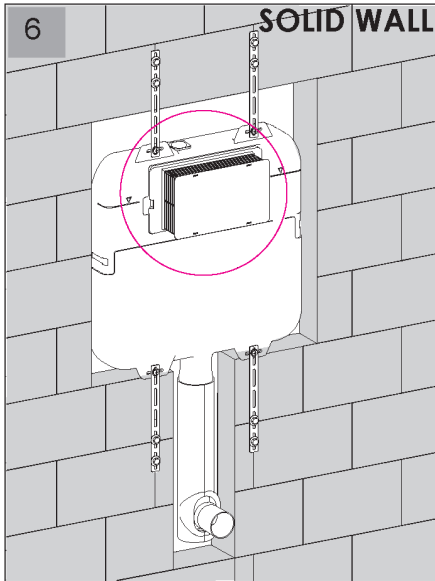


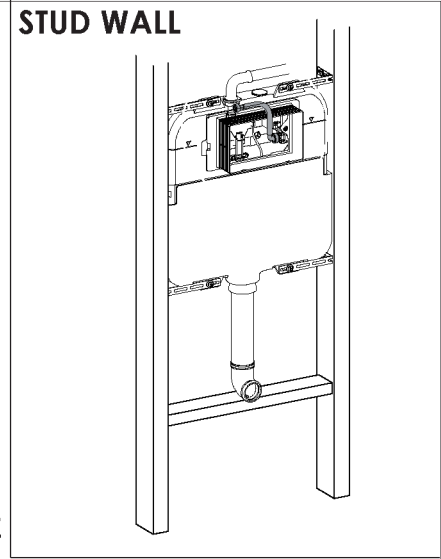
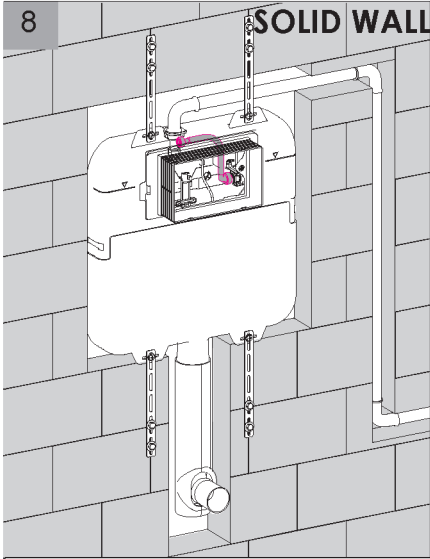


SOLID WALL

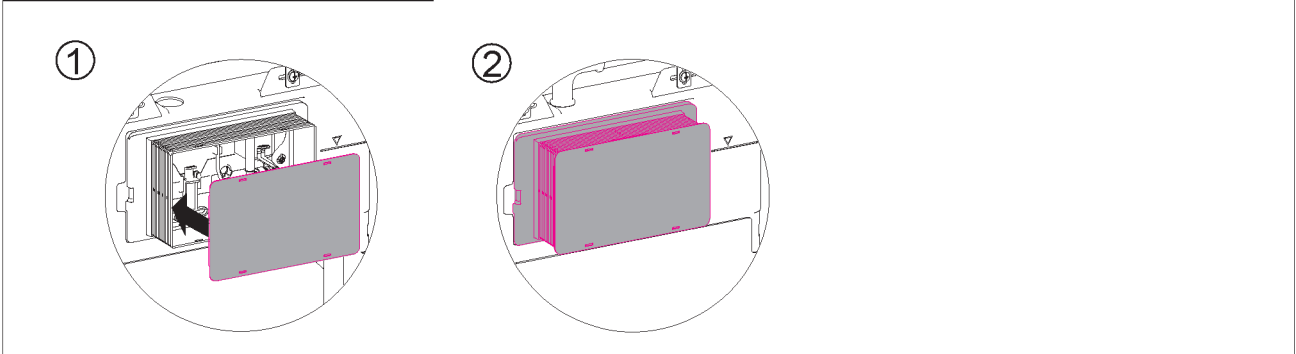
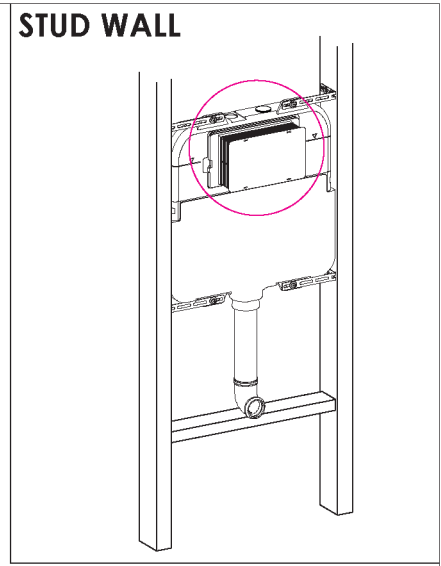
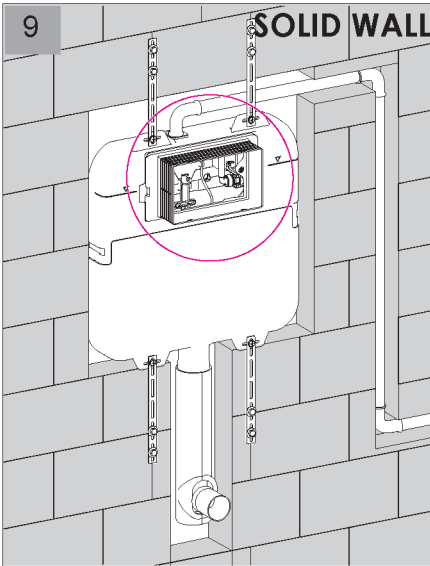
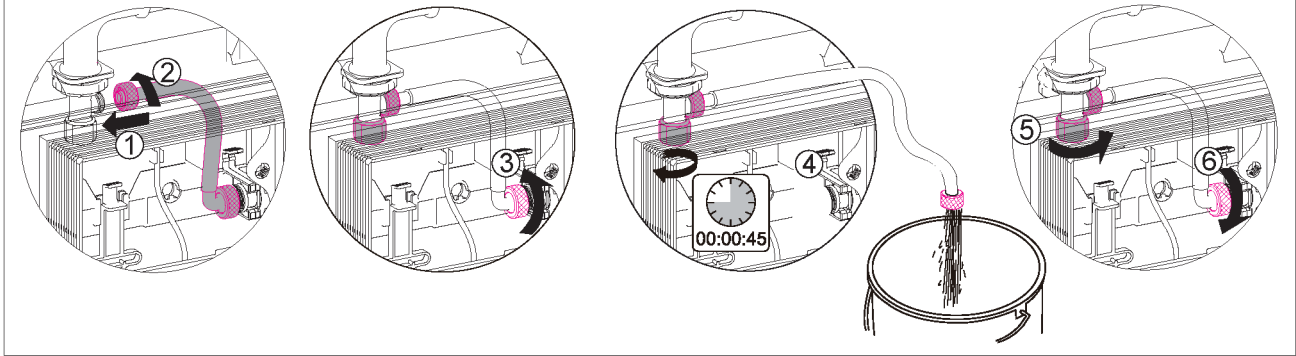
STUD WALL





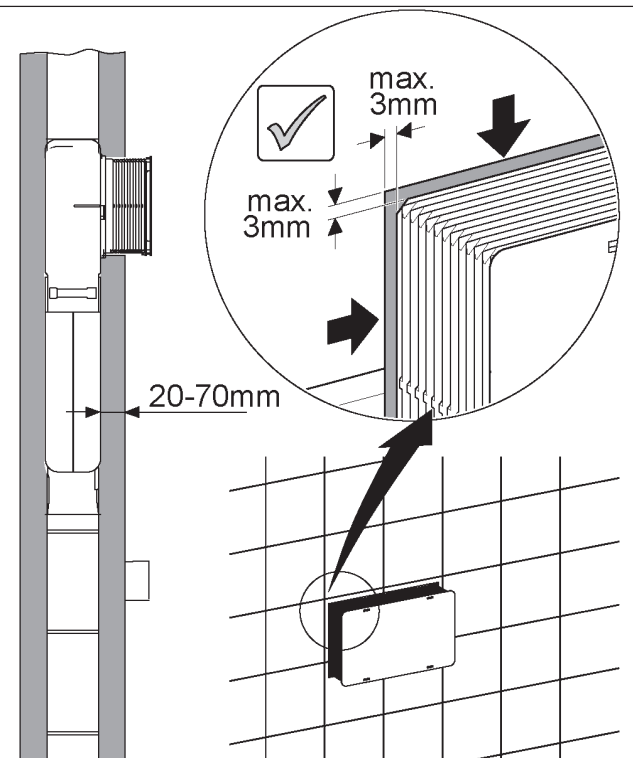
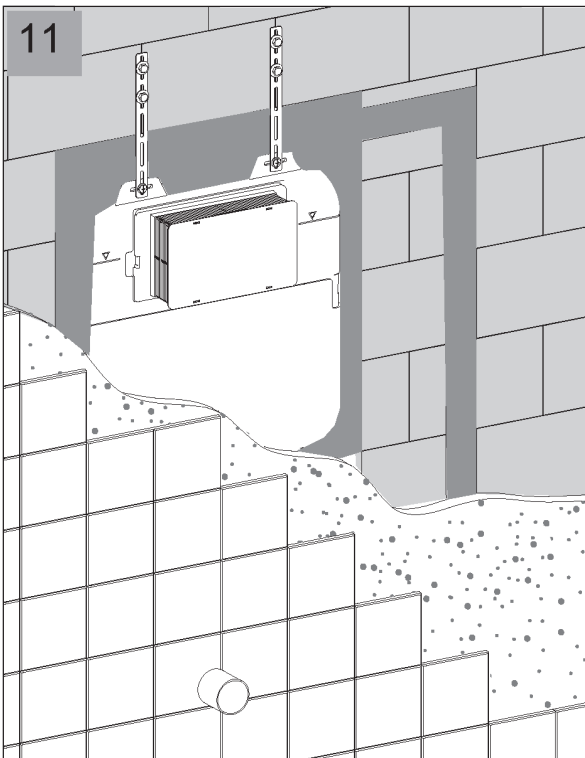
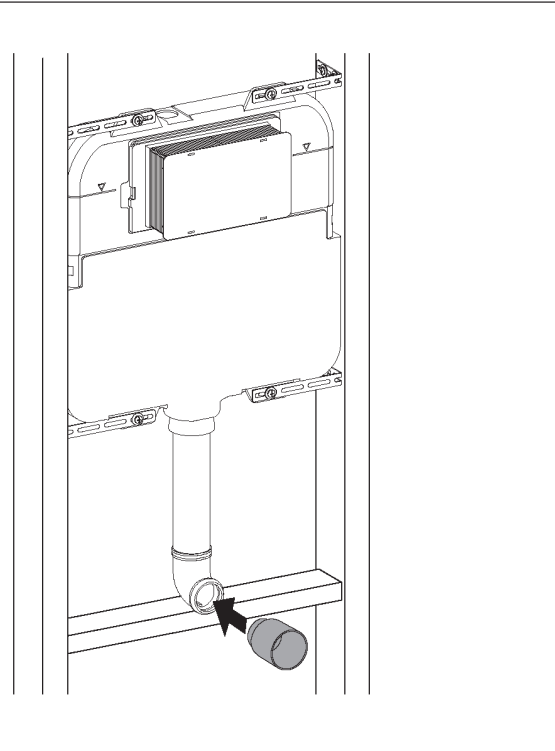
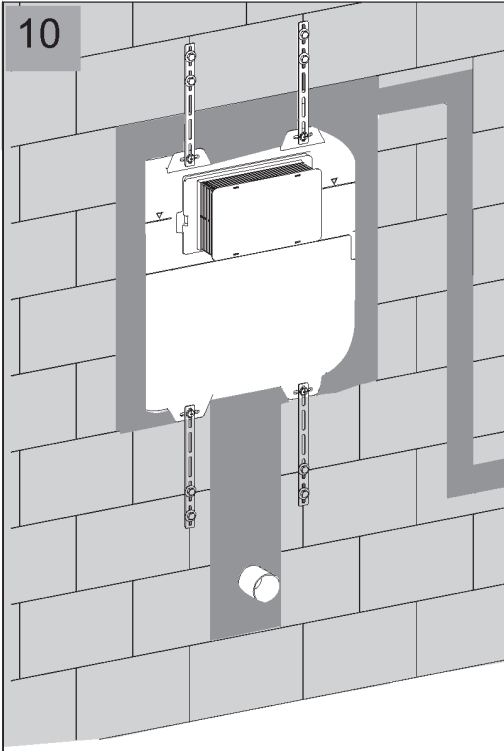


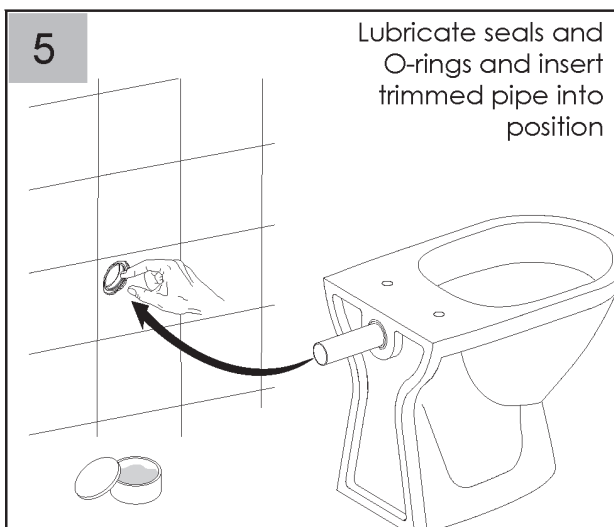
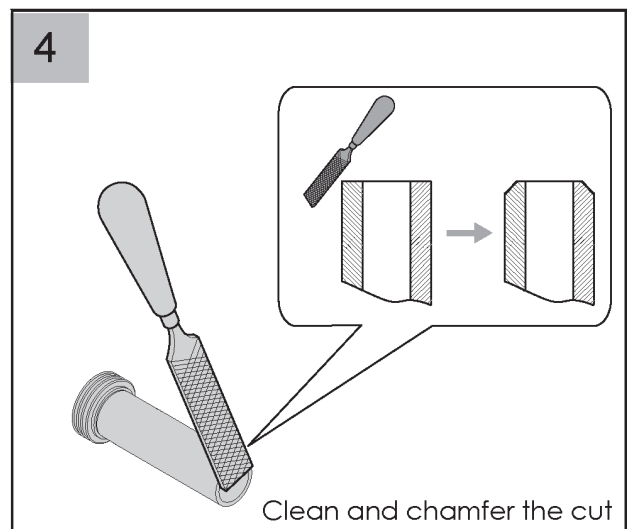
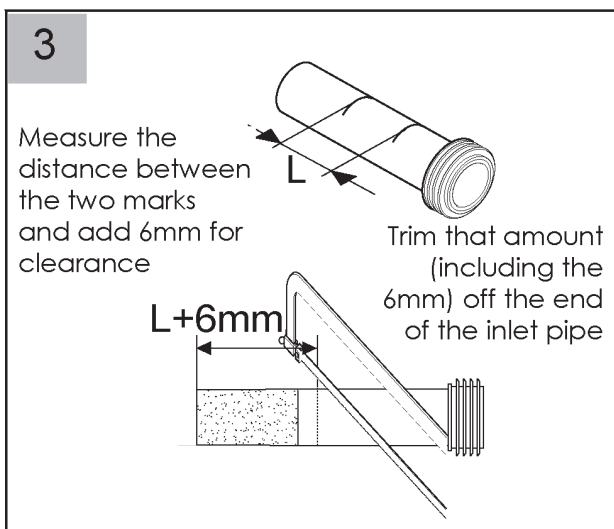
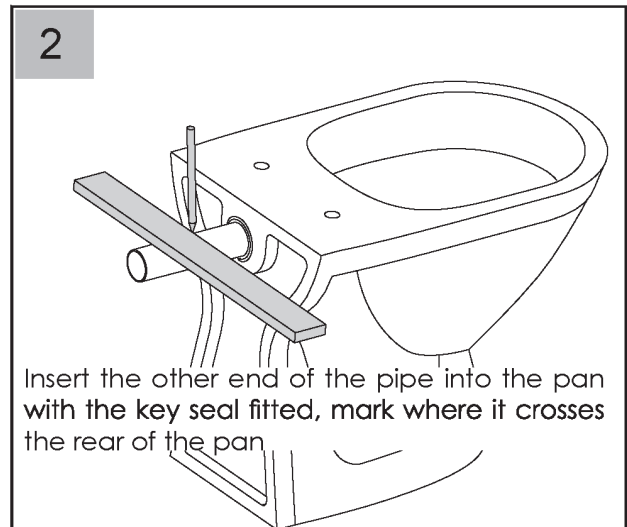
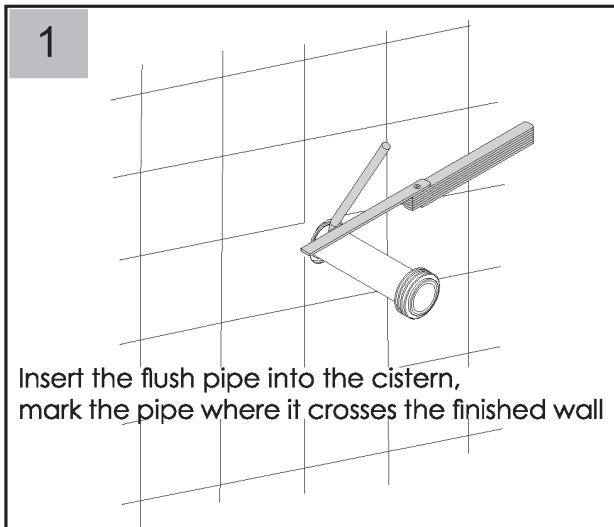
FLUSH WATER PIPE PRIOR TO CONNECTING THE INLET VALVE



SOLID WALL

STUD WALL





TROUBLE SHOOTING GUIDE:
SAFETY NOTICE: TURN OFF WATER SUPPLY WHEN SERVICING ANY COMPONENTS

Symtom	Possible Cause	Corrective Action
No Flush	Supply stop is closed	Open the supply stop
	Flush Plate not connected	Check Flush Plate is connected
	Flex hose is blocked or kinked	Check flex hose
Water Leaking into Pan	Outlet seal issue	Check outlet valve seal and outlet valve hosing, replace if required
	Inlet valve water height too high	Check water inlet height and adjust so it is lower than overflow tube
	Inlet seal leaking	Check inlet seal and replace if damaged

CARE & CLEANING:

1. Daily care will extend your Argent products lifespan. For the daily cleaning, we recommend using a soft, non-abrasive sponge or cloth, like Microfiber cloths. (Tip: Dampen microfiber cloths before use.)
2. If you wish to use a cleaning agent, it is recommended to use a standard, general-purpose cleaning agent.
3. Do not use any aggressive cleaning agents on this product. Aggressive cleaning agents like scouring creams and powders, highly concentrated drain cleaning chemicals, special tap/metal cleaning agents or bleaching agents containing chlorine will damage the product.

SPARE PARTS:

Part #	Code	Description
5	1K1161-01-01	Tiling Template
7	K9100-G-1002	Cistern Stop
8	260107-5	Inlet Flex Hose
9	B3220-D	Inlet Valve
10	K4030-Q-AAU1	Outlet Valve
18	1K1248-00	In-Wall Flush Pipe Horizontal
20	30990	O Ring Seal for Flush Pipe
22	1K723-01-01	In-Wall Flush Pipe Horizontal
23	30689-2	Key Seal

