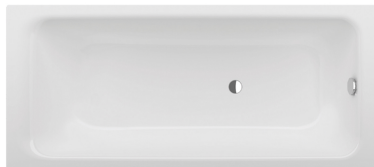


**BETTE**

# BetteSelect 1500 Drop In Bath

Overflow | Bath Filler

**Product Image**



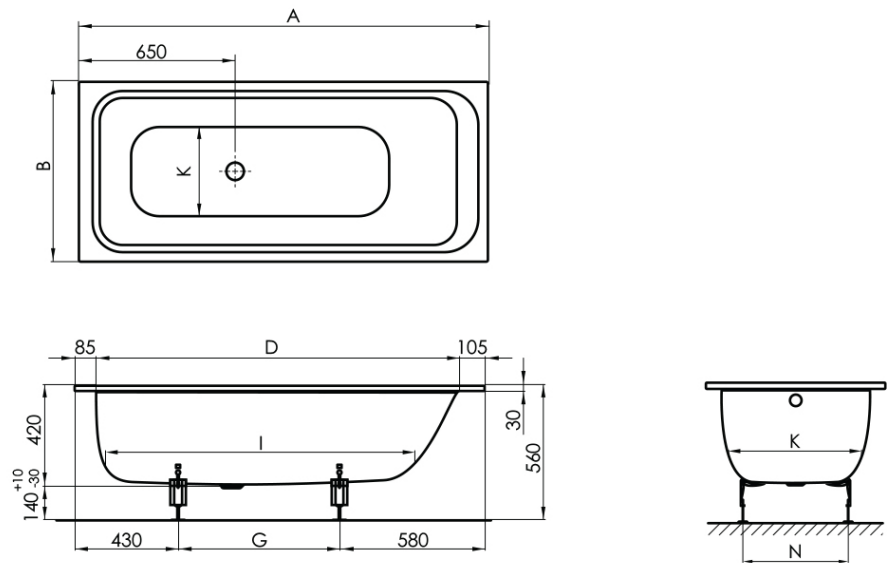
Bath filler not shown.

**Product Details**

**Code:** B1301WFB  
**Brand:** Bette  
**Range:** Select  
**Warranty:** 30 Years\*  
**Product Length:** 1500 mm  
**Product Width:** 700 mm  
**Product Height:** 420 mm  
**Litre Capacity:** 89 L

**Additional Features**

**Technical Specification**



Dimensions	A	B	D	G	I	K	N
150 x 70 x 42 cm	1500	700	1310	490	1099	498	405
160 x 70 x 42 cm	1600	700	1410	590	1199	498	405
170 x 75 x 42 cm	1700	750	1510	690	1299	548	455
180 x 80 x 42 cm	1800	800	1610	790	1399	598	505

\*Please visit [argentaust.com.au/warranty](http://argentaust.com.au/warranty) to view the full warranty

Note: All dimensions are in millimetres and are subject to normal manufacturing variations. Always use the physical product measurements for cut-outs and rough-ins as the technical details shown may differ from the actual product. Use acetic cured silicone sealant. Do not use epoxy type adhesives. Clean with damp cloth. Do not use abrasive cleaners, liquids or pastes.

