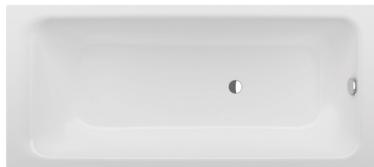


BETTE

BetteSelect 1700 Drop In Bath

Overflow | Bath Filler

Product Image



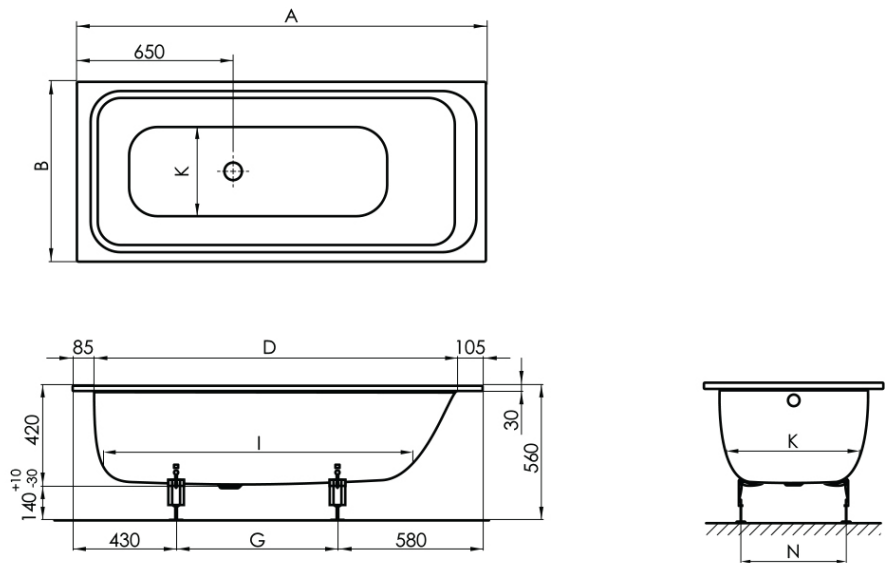
Bath filler not shown.

Product Details

Code: B3412WFB
Brand: Bette
Range: BetteSelect
Warranty: *
Product Length: N/A
Product Width: N/A
Product Height: N/A
Litre Capacity:

Additional Features

Technical Specification



Dimensions	A	B	D	G	I	K	N
150 x 70 x 42 cm	1500	700	1310	490	1099	498	405
160 x 70 x 42 cm	1600	700	1410	590	1199	498	405
170 x 75 x 42 cm	1700	750	1510	690	1299	548	455
180 x 80 x 42 cm	1800	800	1610	790	1399	598	505

*Please visit argentaust.com.au/warranty to view the full warranty

Note: All dimensions are in millimetres and are subject to normal manufacturing variations. Always use the physical product measurements for cut-outs and rough-ins as the technical details shown may differ from the actual product. Use acetic cured silicone sealant. Do not use epoxy type adhesives. Clean with damp cloth. Do not use abrasive cleaners, liquids or pastes.

