



Pace Comfort 170 Diverter Trim

Matte Black

Product Image



Product Details

Code:	DL33262595
Brand:	Argent
Range:	Pace Comfort
Warranty:	15 Years*
WELS:	N/A

Additional Features

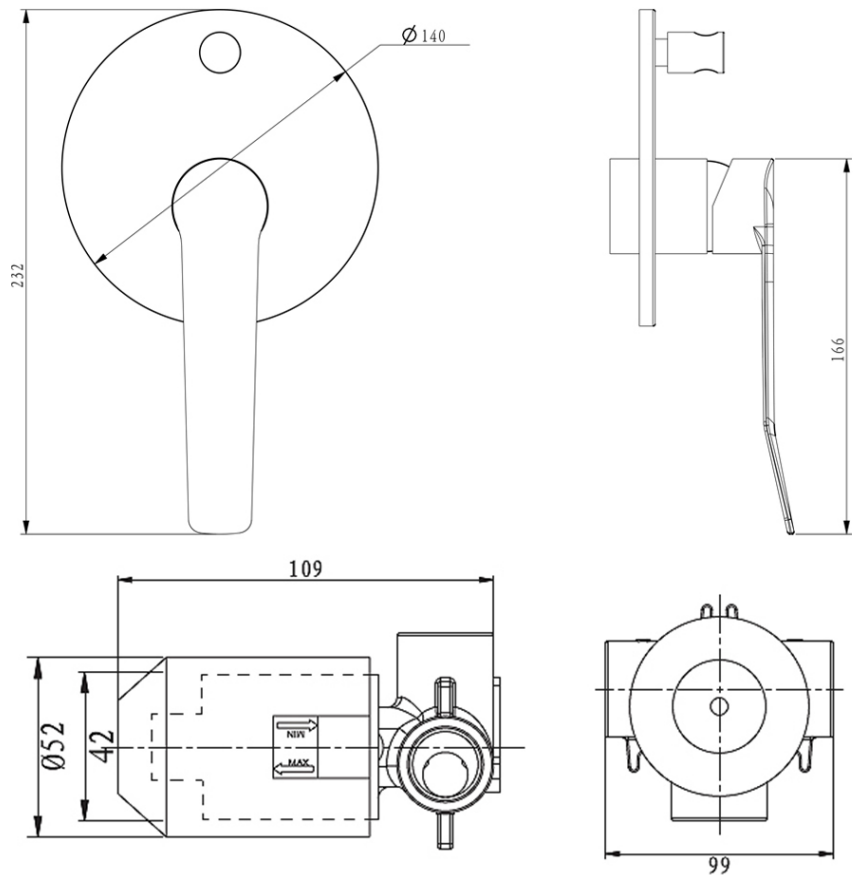
Technical Specification

Required Product
DM33004795

Recommended Products

Additional Notes

- 35mm European Cartridge
- Can be Installed Compliant to AS1482



*Please visit argentaust.com.au/warranty to view the full warranty

Note: All dimensions are in millimetres and are subject to normal manufacturing variations. Always use the physical product measurements for cut-outs and rough-ins as the technical details shown may differ from the actual product. Use acetic cured silicone sealant. Do not use epoxy type adhesives. Clean with damp cloth. Do not use abrasive cleaners, liquids or pastes.

