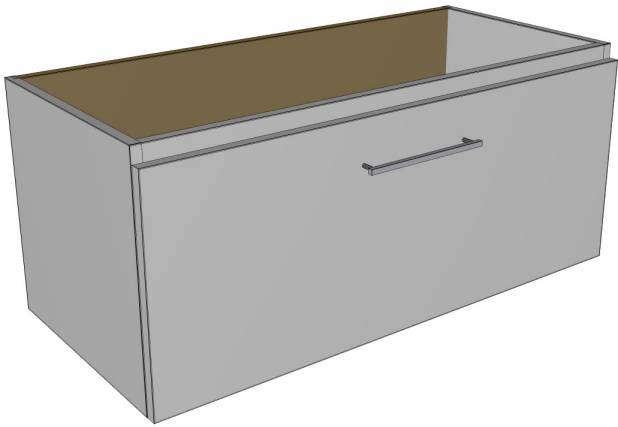
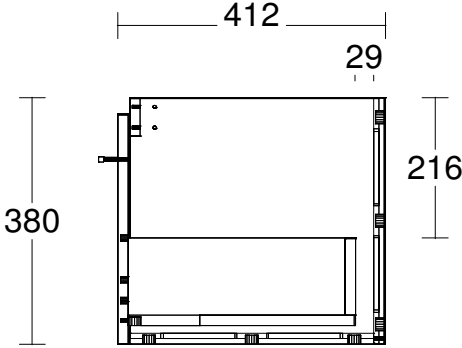
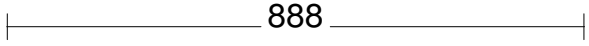
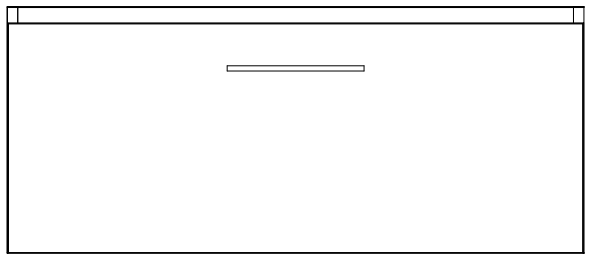
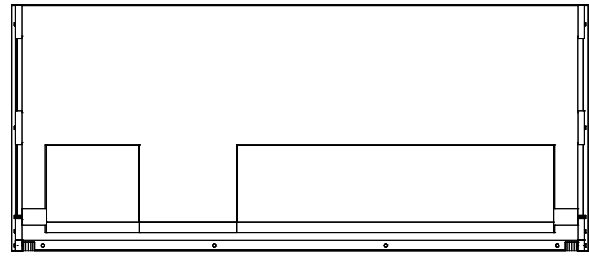




EVO 900 WALL CABINET LH

Product Image	Technical Specification
 <p>380</p>  <p>412 29 380 216</p>	 <p>888</p>  <p>888</p>  <p>380</p>

Description	
EVO 900 Wall Cabinet LH	
EV950SWLHxx	Please choose details including finish from order form

Additional Information
<ul style="list-style-type: none"> • Australian Made • Soft Close • Multiple cabinet colour choices • Recommended product EV36MUL01

