
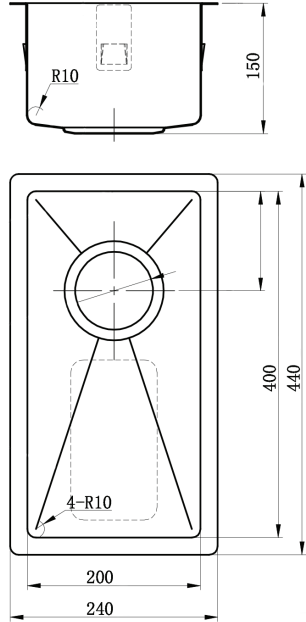




EXECUTIVE CHEF 240 SINK NO TAP HOLE

Product Image	Technical Specification
	

Description	
Executive Chef 240 Sink No Tap Hole	
KS2024100	1/2 Bowl

Additional Information
<ul style="list-style-type: none"> • Low Profile Edge • 304 Stainless Steel Satin Brush Finish • 10mm Easy Clean Radius • Topmount & Undermount • 11 Litre Capacity • Suits 300 Carcass or larger
<p>INSTALLATION DISCLAIMER ALL TEMPLATES, LINE DRAWINGS & ELECTRONIC FILES ARE SUPPLIED AS A GUIDE ONLY. PLEASE CROSS CHECK WITH ACTUAL BOWL BEFORE COMMENCING ANY CUTOUT AND ENSURE RADII ARE SUITABLE TO BENCHTOP MATERIAL TOLERANCES. ARGENT ACCEPTS NO RESPONSIBILITY FOR CUTOUT ERRORS.</p>

