



Verve 1700 Cast Stone Freestanding Bath

Overflow

Product Image

Product Details



Code: FS611763
Brand: Argent
Range: Verve
Warranty: 10 Years*
Product Length: 1,700 mm
Product Width: 850 mm
Product Height: 600 mm
Litre Capacity:

Additional Features

Technical Specification

Required Product

Recommended Products

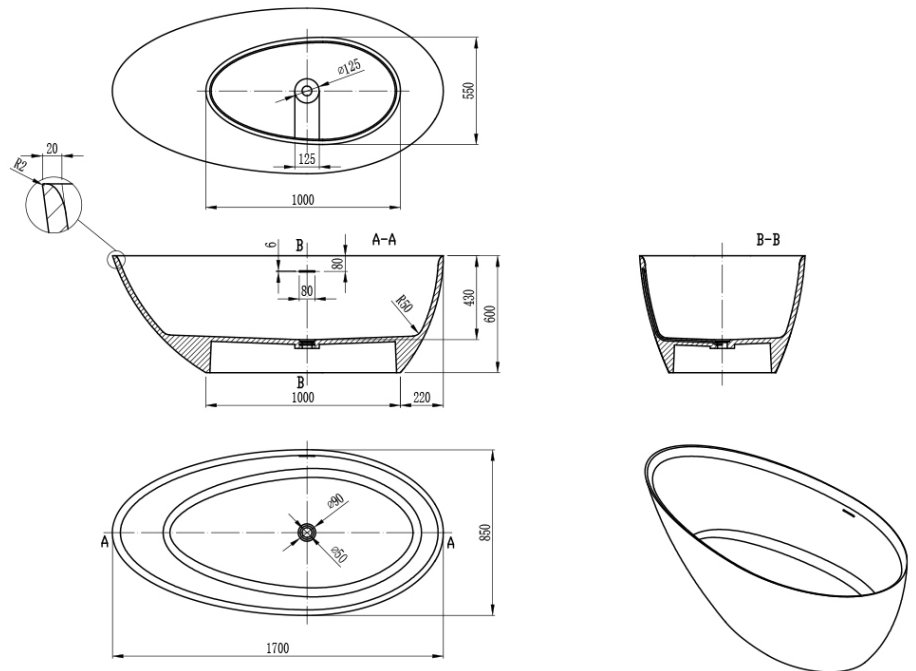
NX-C106MW 40mm Pop Up Waste with Silk Cast Stone Lid

Additional Notes

- High Quality Materials
- Natural Composition
- Silk Finish
- Integrated Slimline Overflow
- One Piece Bath
- Natural Heat Retention

Installation Instructions

* Weight 170KG



*Please visit argentaust.com.au/warranty to view the full warranty

Note: All dimensions are in millimetres and are subject to normal manufacturing variations. Always use the physical product measurements for cut-outs and rough-ins as the technical details shown may differ from the actual product. Use acetic cured silicone sealant. Do not use epoxy type adhesives. Clean with damp cloth. Do not use abrasive cleaners, liquids or pastes.

